

IMPORTANT INFORMATION ..... 2

TECHNICAL CHARACTERISTICS ..... 3

STANDARD VERSIONS ..... 4

STANDARD VERSIONS WIRING ..... 5

CUSTOM KIT ..... 6

CUSTOM PENDANT STATION ASSEMBLY ..... 7

# P02

## PENDANT STATION



Before use, read this booklet carefully to acquaint yourself with the features of the product. This booklet is an integral part of the product and therefore must be kept until the product is dismissed.



Giovenzana International B.V. reserves the right to change the features and data shown in this document at any time and without notice. This document cannot therefore be considered a contract with third parties.



P02 pendant stations are designed and manufactured according to IEC international standard and EN European regulations.



Improper installation or tampering can cause serious damage to people and property, therefore installation and maintenance must be carried out by specialized and authorized personnel.



The device is not intended for use in environments with a potentially explosive atmosphere or in the presence of corrosive substances and in salt fog.



Two push button pendant stations for small hoist, in single row:

- Bi-directional, mechanically interlocked
- IP65 double insulation IEC / EN 60529
- Laser engraved symbols comply with EN 60204-1, FEM 9.941
- Shock proof and heat resistant
- Single speed or two speed motor
- Direct motor control 1 kW - 1 speed
- Available in UL/CSA requirements
- Kit version available

# IMPORTANT INFORMATION

THE INFORMATION SHOWN ON THIS PAGE IS ESSENTIAL FOR THE CORRECT INTERPRETATION OF WHAT HAS BEEN EXPOSED IN THIS BOOKLET.

## Symbols

The following symbols are used in this booklet:



Read carefully before use.



Information note.



ATTENTION, the information highlighted by this symbol is very important.

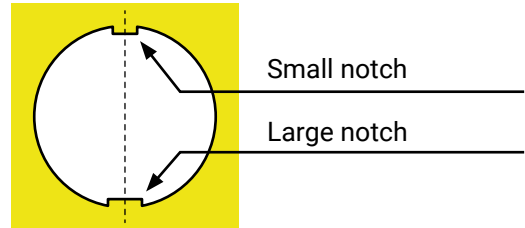


DANGER, the information highlighted by this symbol concerns environments with a potentially explosive atmosphere or the presence of corrosive substances and salt fog.



This symbol highlights the recommended tightening torques to guarantee the degree of protection of the product and to prevent it from breaking.

## Orientation and type of operators



The operators' housing holes follow the diagram shown in the figure (**vertical**).

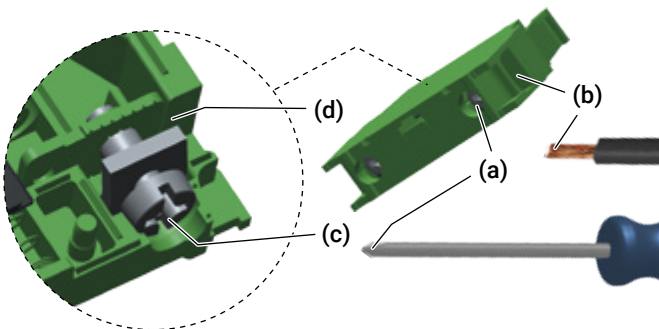


### ATTENTION

IT IS DANGEROUS TO OPERATE THE PUSH-BUTTONS AT THE SAME TIME

## Contact block with screw terminals

Loosen the screw (a) with a Phillips screwdriver and insert the end of the cable into the opening (b). Tighten the screw with a torque screwdriver to lock the end of the cable. In detail, the action on the screw (c) loosens the stop (d) and allows you to insert the end of the cable.



### ATTENTION

Connectable section to the contact blocks

flexible conductors	1 or 2	0.5 ... 2.5 mm <sup>2</sup> 18 ... 12 AWG
solid conductors	1 or 2	0.5 ... 2.5 mm <sup>2</sup> 18 ... 12 AWG
wire peeling length	8 mm	
tightening torque	EN60947-1	1.2 N·m
	UL508	12 lb·in (1.4 N·m)

## Tools required (not supplied)



Phillips screwdriver



Flathead screwdriver



Scissors



PCF key (to be purchased separately)



Torque screwdriver with its flat and Phillips heads

# TECHNICAL CHARACTERISTICS

## Pendant station technical data

Compliant to standards		IEC / EN60947-5-1
Material		PP
Material group		II
Pollution class		3
Temperature	operating	-25°C ... +70°C
	storage	-30°C ... +70°C
Protection class		IP65
Cable entry		rubber cable sleeve Ø 7 ... 18 mm
Weight	P02.RM / P02.1 / P02.2 / P02.D2	230 g
	P02.4 / P02.CD	250 g

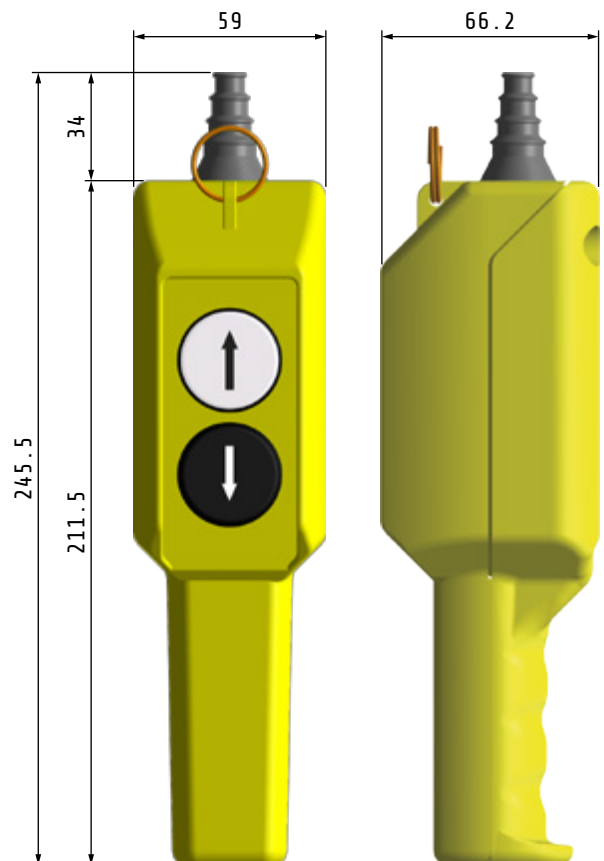
## Marking



## Versions

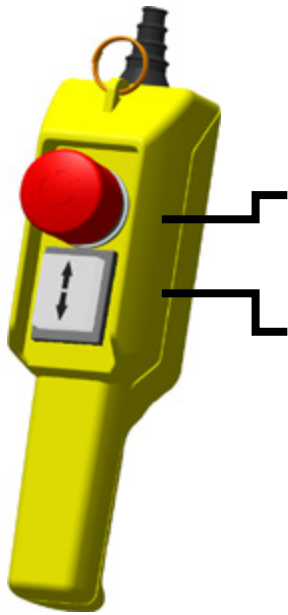
- P02.RM
- P02.1 - P02.2 - P02.4 - P02.CD
- P02.D2

## Dimensions



Dimensions in mm  
Drawing NOT in scale

# STANDARD VERSIONS



## P02.RM \*

Single speed

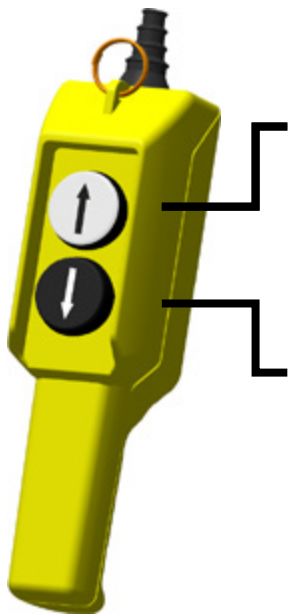


PL004001 (NC)



11708237 (ON-OFF-ON)

\* With double pole commutator with center off 16 A - 250 Vac ½ HP



## P02.1

Single speed



PL004002 (NO)

## P02.2

Single speed



PL004002 (NO)  
PL004002 (NO)

## P02.4

Single speed



PL004001 (NC)  
PL004002 (NO)

## P02.CD

Single speed \*\*



PL004001CD (NC)  
PL004002CD (NO)  
PL004002CD (NO)



PL004002 (NO)



PL004002 (NO)  
PL004002 (NO)

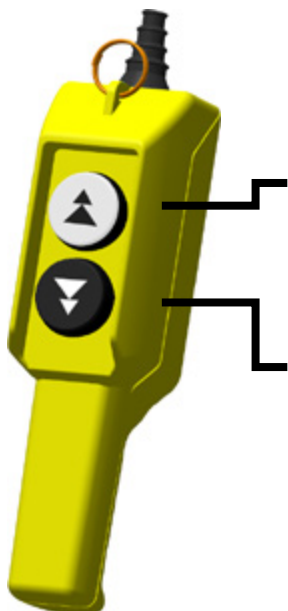


PL004001 (NC)  
PL004002 (NO)



PL004001CD (NC)  
PL004002CD (NO)  
PL004002CD (NO)

\*\* High power contacts direct motor control 1 kW 1 ph



## P02.D2

Double speed



PL004010.S (NO-NO) \*



PL004010.S (NO-NO) \*

\* new releases are equipped with p.n. PL004010.S (NO-NO), older are equipped with p.n. PL004010 (NO-NO)



PL004001 (NC)  
red



PL004001CD (NC)  
red



PL004002 (NO)  
green



PL004002CD (NO)  
green



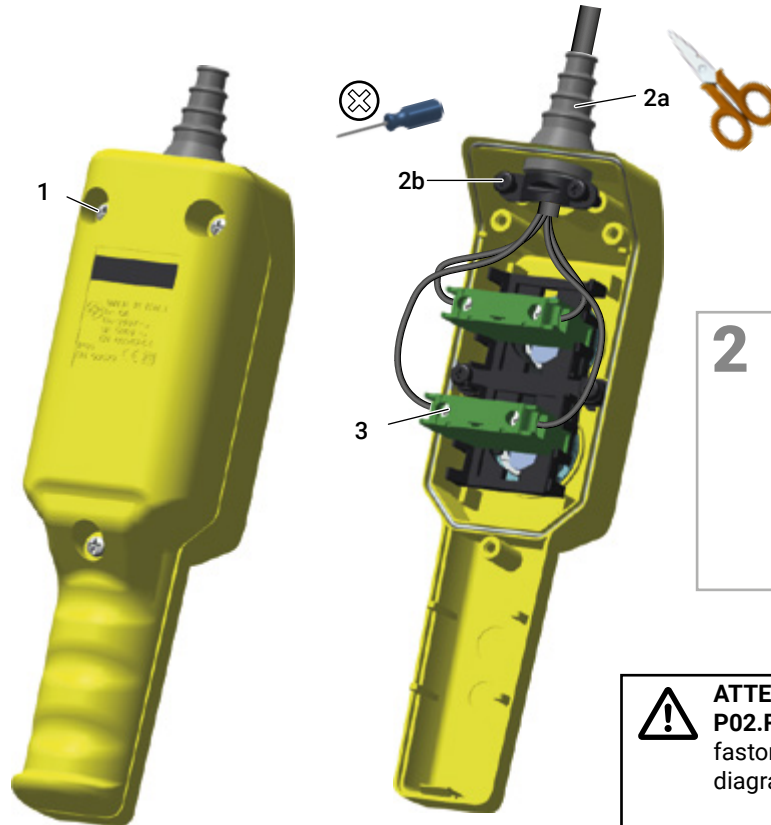
PL004010.S (NO-NO) \*  
green

# STANDARD VERSIONS WIRING



**ATTENTION**  
Is shown the wiring of a push-button panel with only one contact element per key. The procedure is identical for 2 or 3 contact elements per key.

**1** Loosen the screws to remove the bottom of the pendant station.



**2** Cut the cable clamp (a) to match the selected cable size. Loosen the screws (b) of the cable holder and insert the cable into the cable clamp.

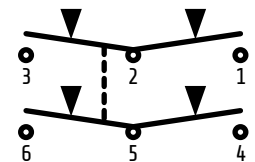
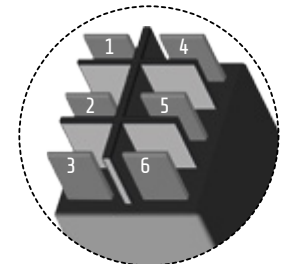


**ATTENTION**  
The sections that can be connected to the contact blocks are shown in the paragraph "Contact block with screw terminals" on page 2.

**3** Wire the contact blocks following the procedure "Contact block with screw terminals" on page 2.



**ATTENTION**  
**P02.RM** only: wire with faston according to the diagram shown.

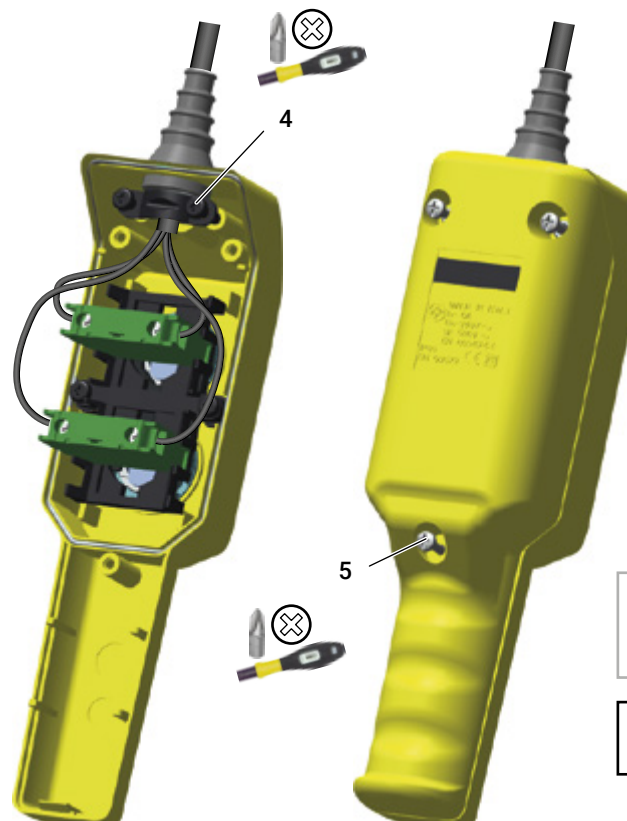


**ON-OFF-ON**  
**(mom)-(mom)**

**4** Tighten the cable holder screws.



**TIGHTENING TORQUE**  
1.2-1.4 Nxm  
10.6-12.4 lbxin

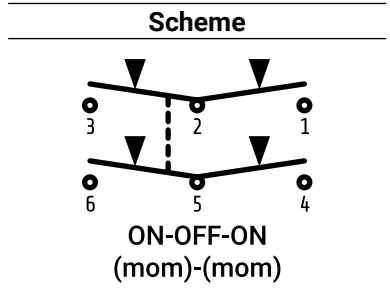
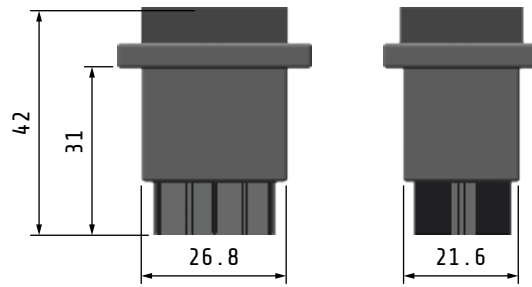
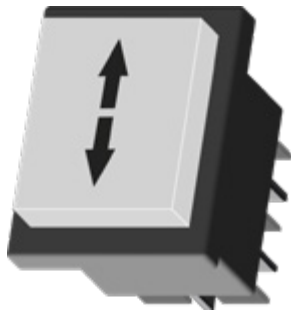


**5** Replace the bottom of the pendant station and screw it in place.



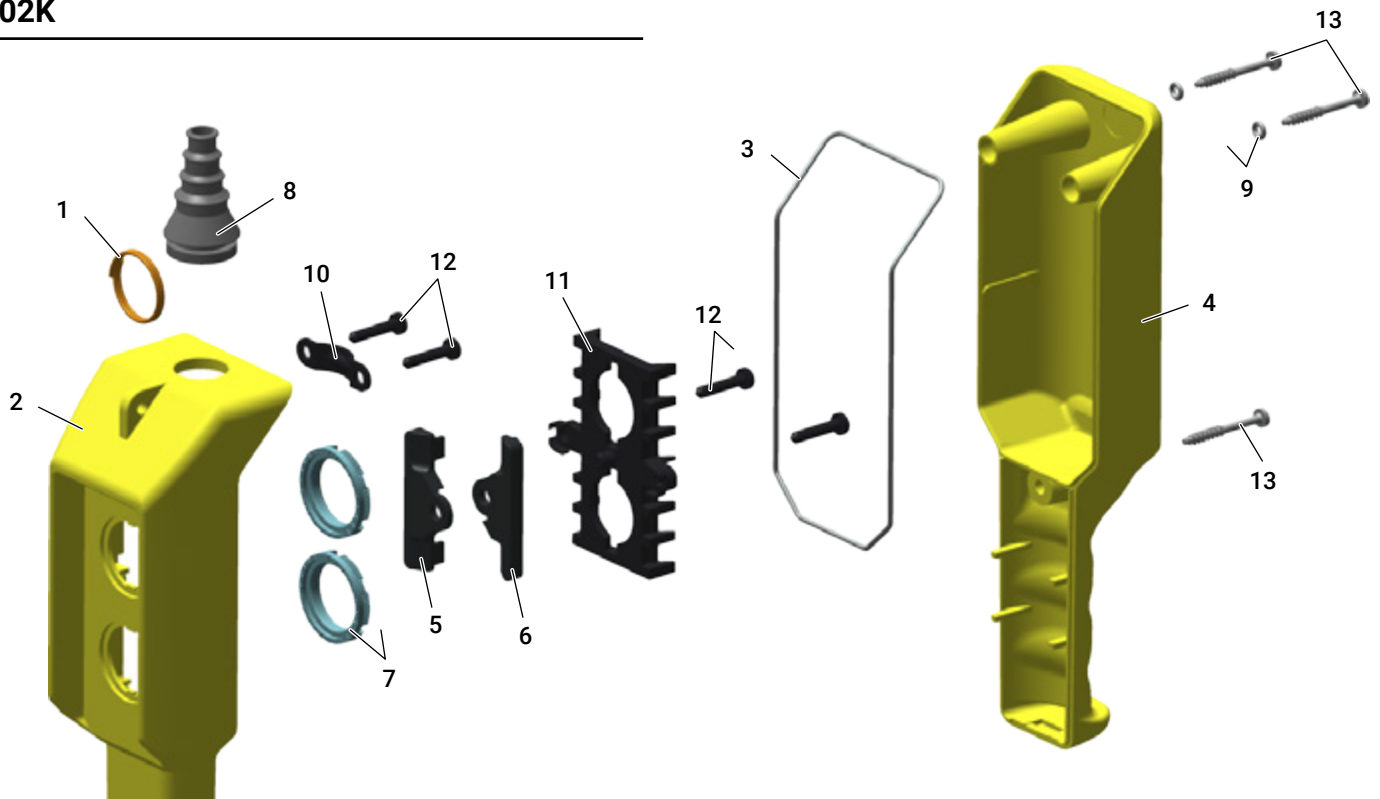
**TIGHTENING TORQUE**  
1.3-1.7 Nxm / 11.5-15 lbxin

11708237



## CUSTOM KIT

P02K



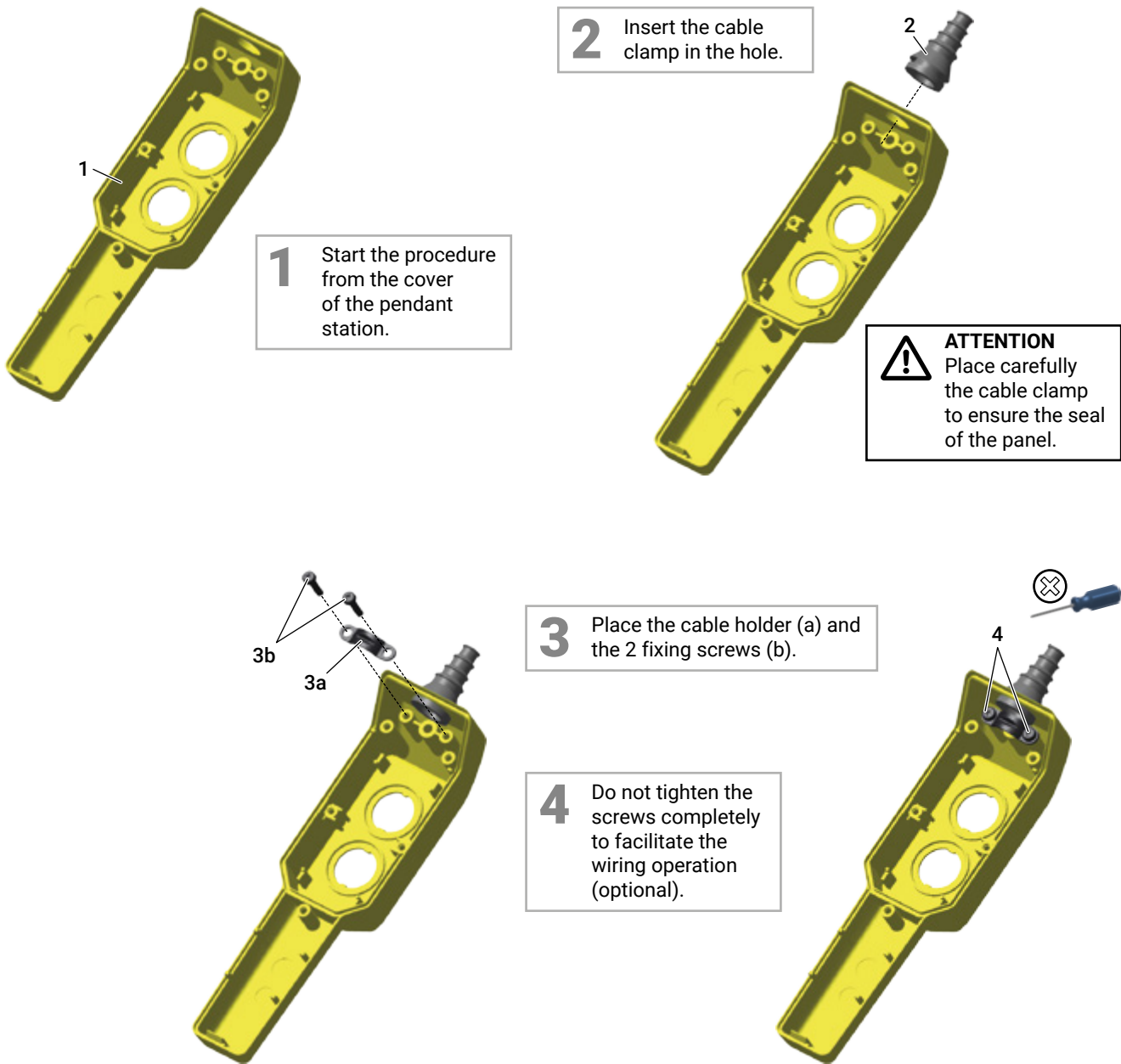
1	Suspension ring	1 x
2	Pendant station cover with handle	1 x
3	Rubber gasket	1 x
4	Pendant station base	1 x
5	Bottom mechanical interlock 16 A	1 x
6	Top mechanical interlock 16 A	1 x
7	Threaded ring nut M22x1	2 x
8	Cable clamp	1 x
9	O-ring	2 x
10	Cable holder	1 x
11	Coupling plate with 2 holes	1 x
12	Crosshead self-tapping screw	4 x
13	Self-tapping screw 4x30 partial thread	3 x

Components excluded that must be ordered separately:

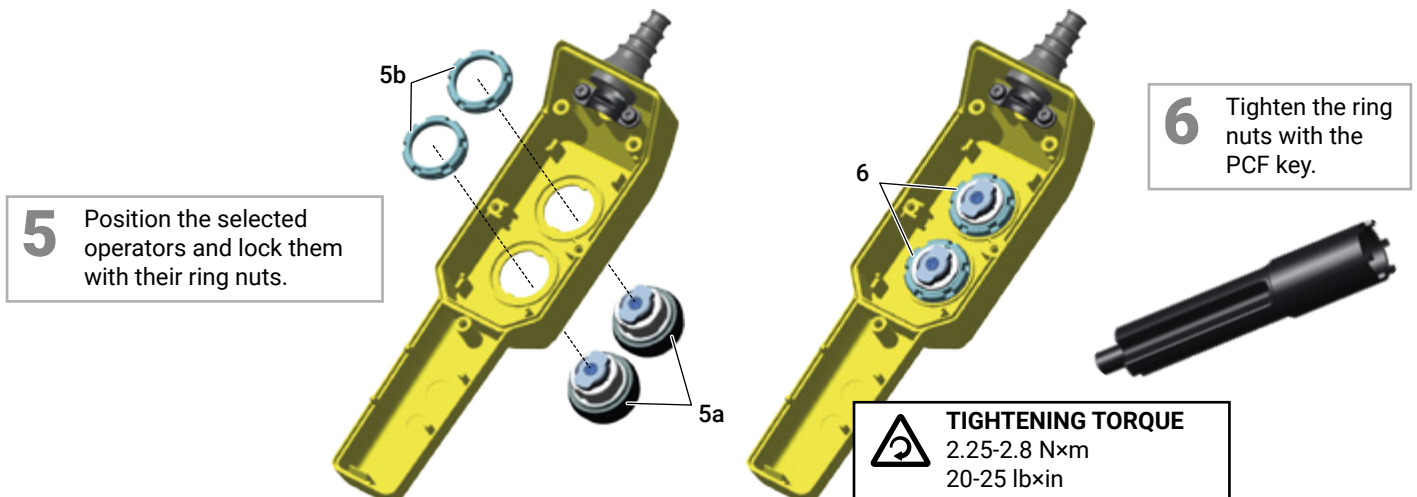
- Operators
- Contact blocks

# CUSTOM PENDANT STATION ASSEMBLY

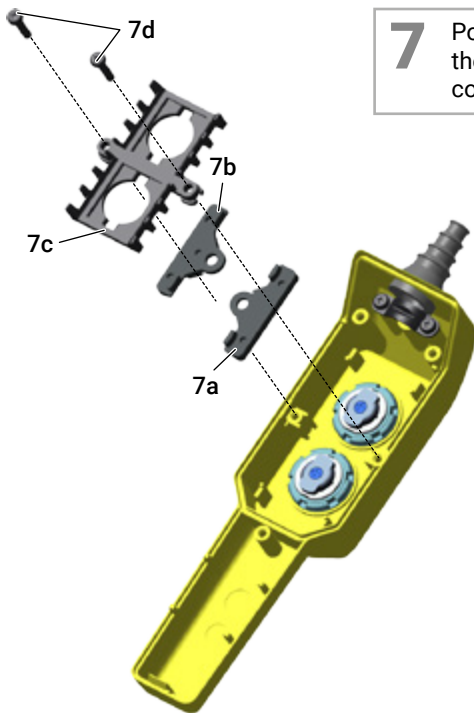
## Cable clamp and cable holder



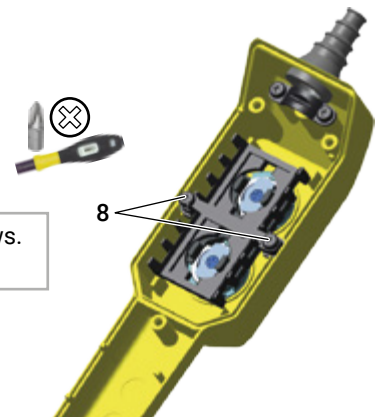
## Operators



## Coupling plate and contact blocks



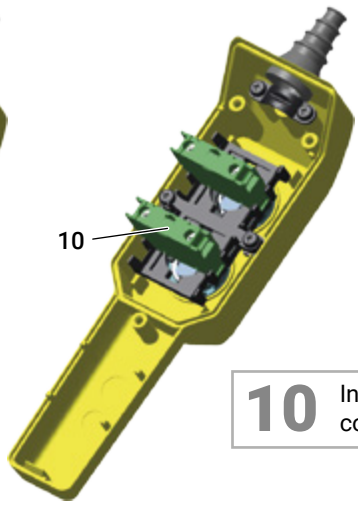
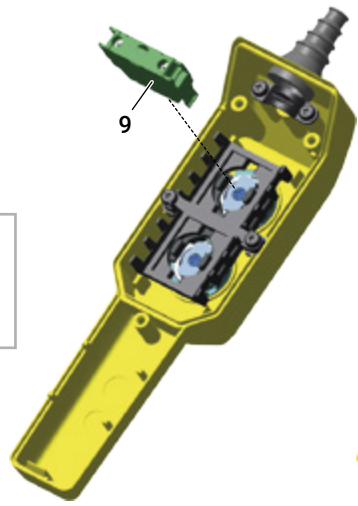
**7** Position the top mechanical interlock (a), the bottom mechanical interlock (b), the coupling plate (c) and the fixing screws (d).



**8** Tighten the fixing screws.

**TIGHTENING TORQUE**  
 1.4-1.6 N×m  
 12.4-14 lb×in

**9** Install the contact block by pushing it into the desired position on the coupling plate.



**10** Install all other chosen contact blocks.

## Pendant station base

**11** Place the fixing screws (a) and the o-rings (b) in the respective holes in the pendant station base.

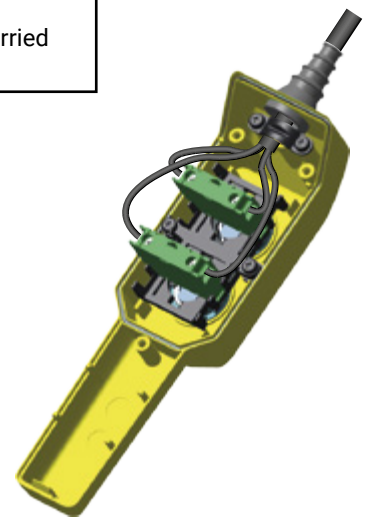


## Wiring

**ATTENTION**  
 Wire as shown in the paragraph "STANDARD VERSIONS WIRING" on page 5

**ATTENTION**  
 Wiring is optional and can be carried out later.

**ATTENTION**  
 The sections that can be connected to the contact blocks are shown in the paragraph "Contact block with screw terminals" on page 2.



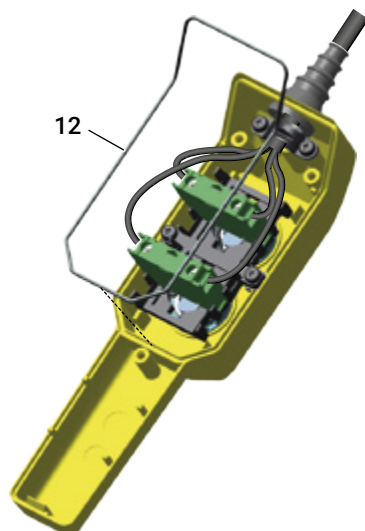


## Close the pendant station

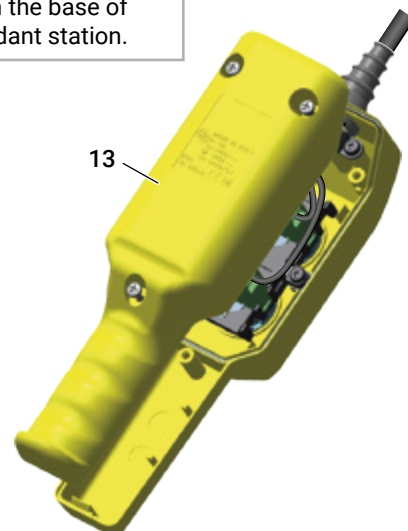
**12** Place the sealing gasket into the groove.



**ATTENTION**  
Carefully position the sealing gasket to ensure tightness.



**13** Position the base of the pendant station.



**14** Tighten the fixing screws of the base of the pendant station.



**TIGHTENING TORQUE**  
1.3-1.7 Nxm  
11.5-15 lbxin





A series of horizontal dashed lines spanning the width of the page, providing a template for text entry.