



Standard versions

PLB04	PLB04D2		
PLB06	PLB06D2	PLB06D4	
PLB08	PLB08D2	PLB08D4	PLB08D6
PLB10	PLB12	PLB14	
PLBN04	PLBN04D2		
PLBN06	PLBN06D2	PLBN06D4	
PLBN08	PLBN08D2	PLBN08D4	PLBN08D6
PLBN10	PLBN12	PLBN14	

# PLB... PLBN...

## PENDANT STATIONS



**ATTENTION**

Before any installation or maintenance operation, disconnect the power supply to the system. Before restoring the power supply, make sure that all connections to the device have been made correctly. Giovenzana International B.V. disclaims any responsibility for any damage to things and people caused by non-compliance with the rules described here.



PL...



PLN...

The push buttons are available in two versions coded as shown in the pictures above. The pendant stations code scheme follows the push button installed (PLB.../PLBN...).

The pictures in this manual are for illustrative purposes and are valid for all the products of this series.



Before use, read this booklet carefully to acquaint yourself with the features of the product. This booklet is an integral part of the product and therefore must be kept until the product is dismissed.



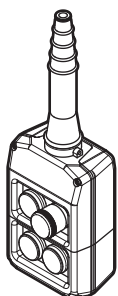
Giovenzana International B.V. reserves the right to change the features and data shown in this document at any time and without notice. This document cannot therefore be considered a contract with third parties.



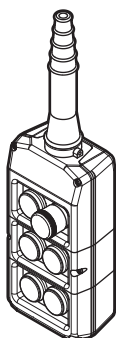
Any improper installation or any tampering of the device may cause serious personnel injury or property damage, therefore, the installation and maintenance must be performed by specialized and authorized personnel.



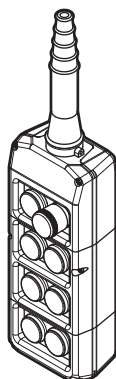
The use of this device is not allowed in environment with a potentially explosive atmosphere or in presence of corrosive substances and in salt spray.



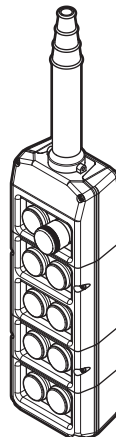
PLB04... / PLBN04...



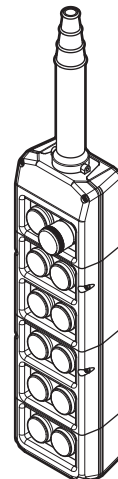
PLB06... / PLBN06...



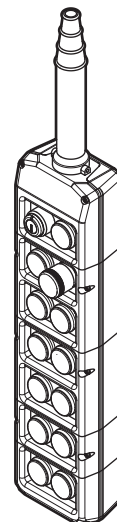
PLB08... / PLBN08...



PLB10... / PLBN10...



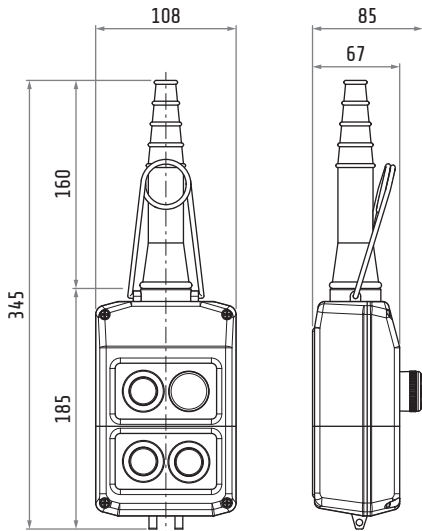
PLB12... / PLBN12...



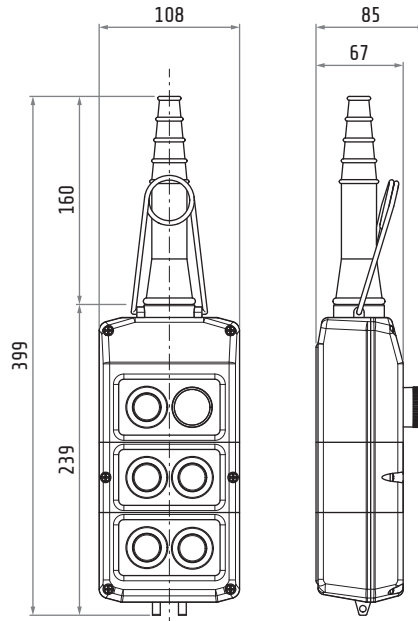
PLB14... / PLBN14...

Material	cover base	thermoplastic (yellow) thermoplastic (black)
Material group		II
Pollution class		3
Temperature	operating storage	-25°C ... +70°C -30°C ... +70°C
IP rating		IP65
Cable entry	rubber cable sleeve	Ø 9 ... 24 mm

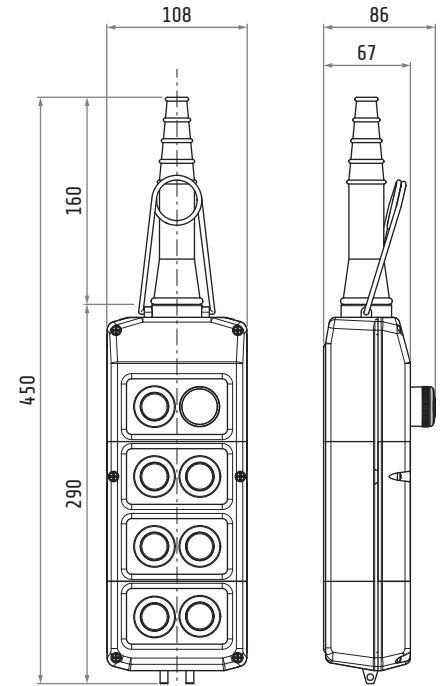
Dimensions in mm  
Illustrations NOT in scale



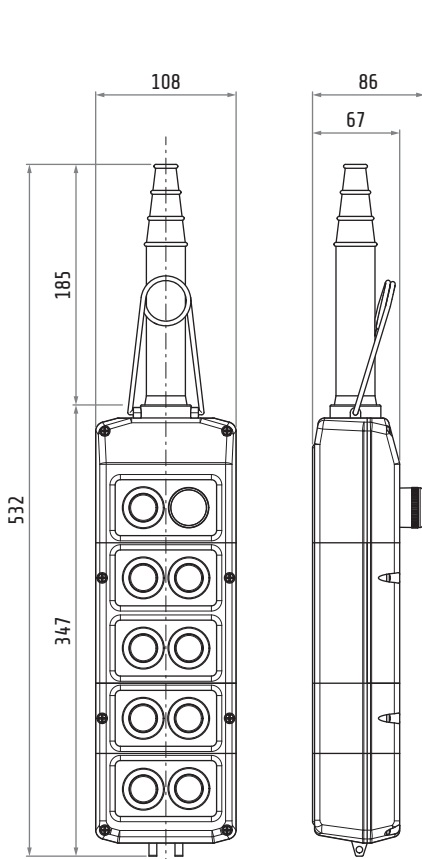
PLB04... / PLBN04...



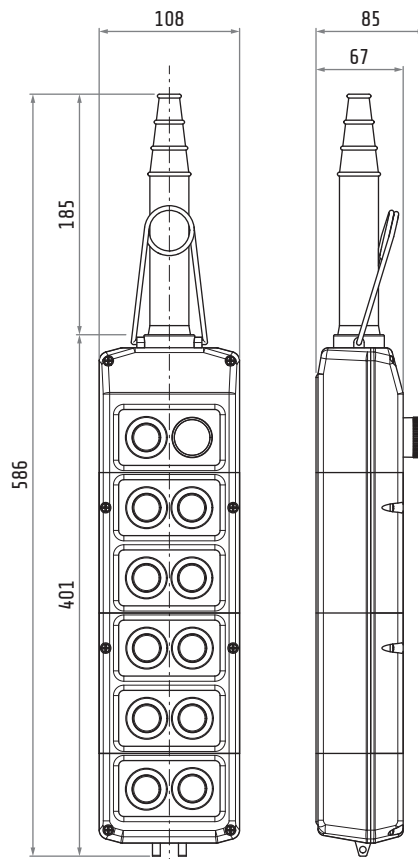
PLB06... / PLBN06...



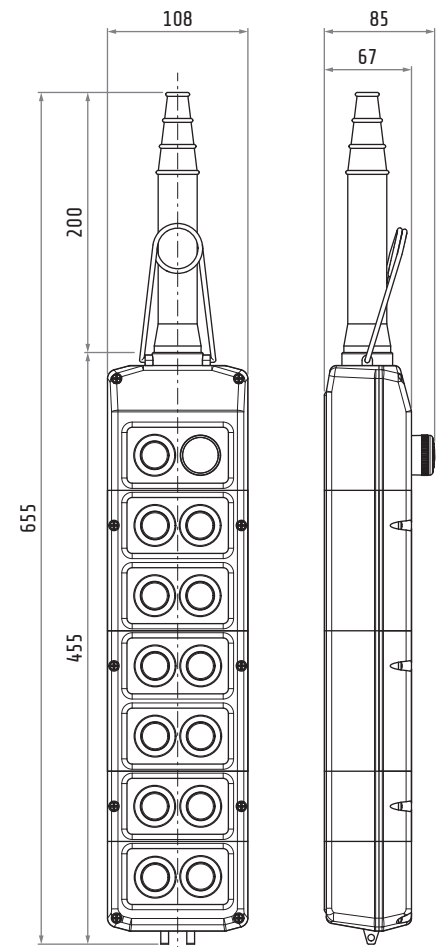
PLB08... / PLBN08...



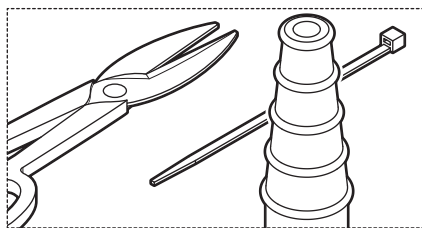
PLB10... / PLBN10...



PLB12... / PLBN12...



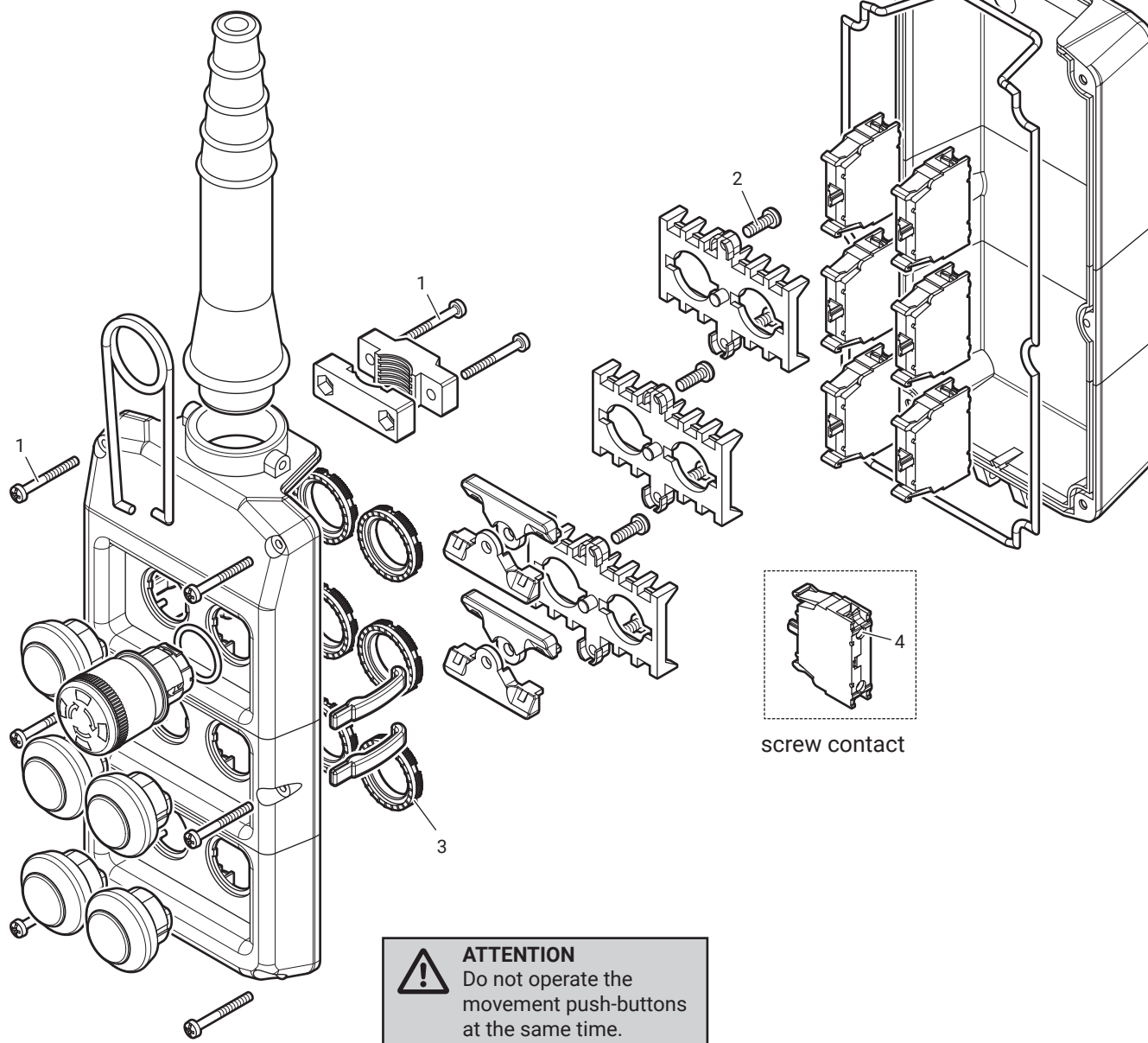
PLB14... / PLBN14...



Cut the rubber sleeve in the desired position according with the cable diameter. Fit the cable inside the rubber sleeve and tighten with the supplied zip tie.

Suitable cables according to pendant station model

PLB04	Ø 8-17 mm / 0.31-0.7 in
PLB06-PLB08	Ø 9-21 mm / 0.35-0.8 in
PLB10-PLB12-PLB14	Ø 12-25 mm / 0.5-0.98 in



**⚠ ATTENTION**  
Do not operate the movement push-buttons at the same time.

1	1.3 - 1.7 N·m	11.5 - 15.1 lb·in	phillips self tapping screw 4×30
2	1.4 - 1.6 N·m	12.4 - 14.2 lb·in	phillips screw 3.9×13
3	2.25 - 2.8 N·m	19.9 - 24.8 lb·in	use the accessory code PCF (not included)
4	1.2 N·m (EN60947-1)	12 lb·in (UL508)	1 or 2 flexible conductors: 0.5 ... 2.5 mm <sup>2</sup> / 18 ... 12 AWG 1 or 2 solid conductors: 0.5 ... 2.5 mm <sup>2</sup> / 18 ... 12 AWG wire peeling length: 8 mm <b>use copper conductors only</b>