
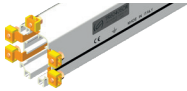




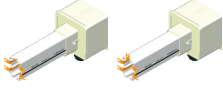
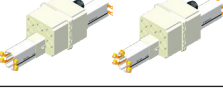

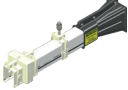






TR60 PRE-MOUNTED

Energy transmission system fitted with 4 or 5 conductors with joints.
Operating current: 40 or 60 A, depending on the busbar.
Marking: CE, EAC.

BUSBAR SYSTEM WITH 4 OR 5 PRE-MOUNTED CONDUCTORS (SIZES: 40 A, 60 A)

	TR60...4CW 4 conductors 40 / 60 A busbar
	TR60...5CW 5 conductors 40 / 60 A busbar
	TR6001W Joint unit
	TR6002W Plastic hanger clamp
	TR6020 Metallic hanger clamp
	TR6006W End cap
	TR6003A4W - TR6003A5W 4 or 5 conductors head feed
	TR6008A4W - TR6008A5W 4 or 5 conductors in-line feed
	TR6034A4W - TR6034A5W 4 or 5 conductors left end transfer guide
	TR6035A4W - TR6035A5W 4 or 5 conductors right end transfer guide
	TR6004 - TR6005 4 or 5 conductors trolley current collector
	TR8538 Spring loaded towing arm

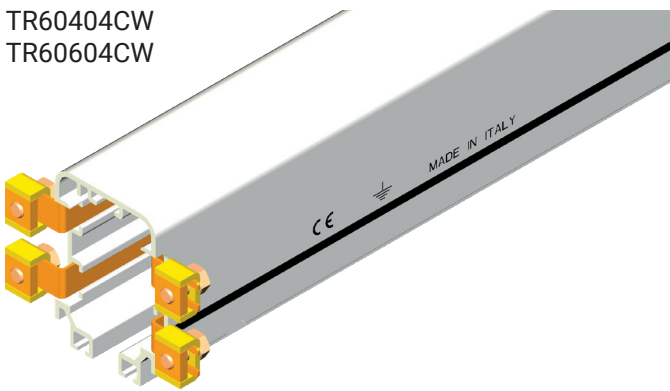
	TR8557 Towing arm with chain
	TR6007 Towing arm bracket
	TR8510 Towing arm
	TR6013 Double trolley support
	TR6014W Fixed point
	TR6012 Gasket
	Accessories



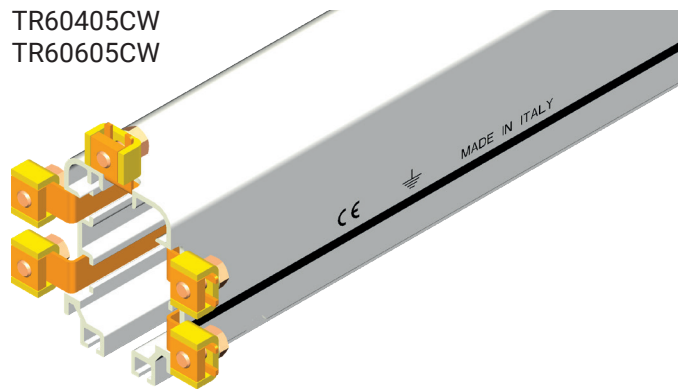
TR60...4CW TR60...5CW

BUSBAR

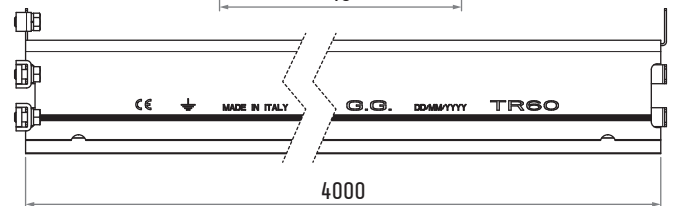
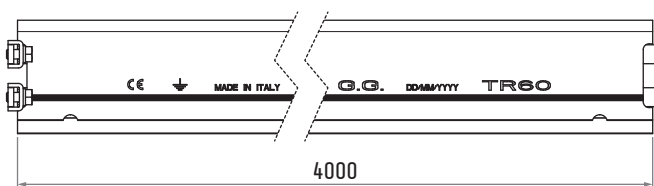
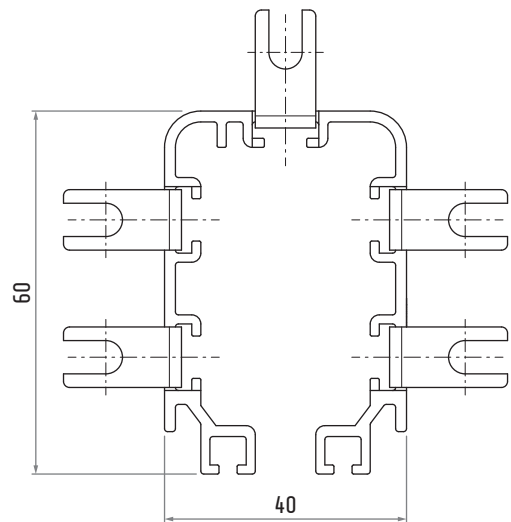
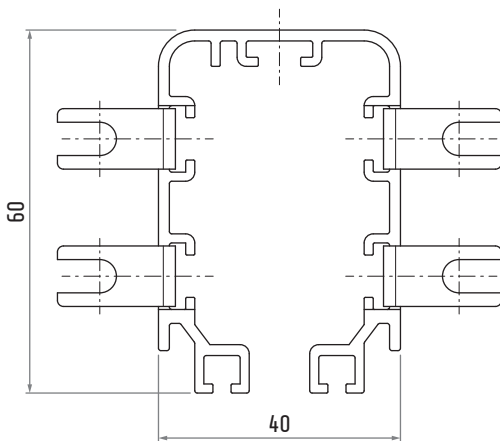
TR60404CW
TR60604CW



TR60405CW
TR60605CW



Custom curved bars available on request (with 4 conductors only and with a minimum radius of 1000 mm).



Dimensions in mm / illustrations NOT in scale

Conductors	4	TR60404CW	TR60604CW
	5	TR60405CW	TR60605CW
Conductors material		ETP copper	ETP copper
Rated current	23°C	40 A	60 A
Rated operating voltage	Ue	600 V AC	600 V AC
Frequency		50 Hz	50 Hz
Short circuit current		10 kA	10 kA
Class gG fuse rating		40 A	60 A
Resistance		$17 \cdot 10^{-4} \Omega/m$	$11.33 \cdot 10^{-4} \Omega/m$
Impedance		$17.09 \cdot 10^{-4} \Omega/m$	$11.38 \cdot 10^{-4} \Omega/m$
Conductors section		10 mm ²	15 mm ²
		10 × 1 mm	10 × 1.5 mm
Weight of busbar complete of conductors	4	1.05 kg/m	1.22 kg/m
	5	1.13 kg/m	1.25 kg/m

Possible configurations



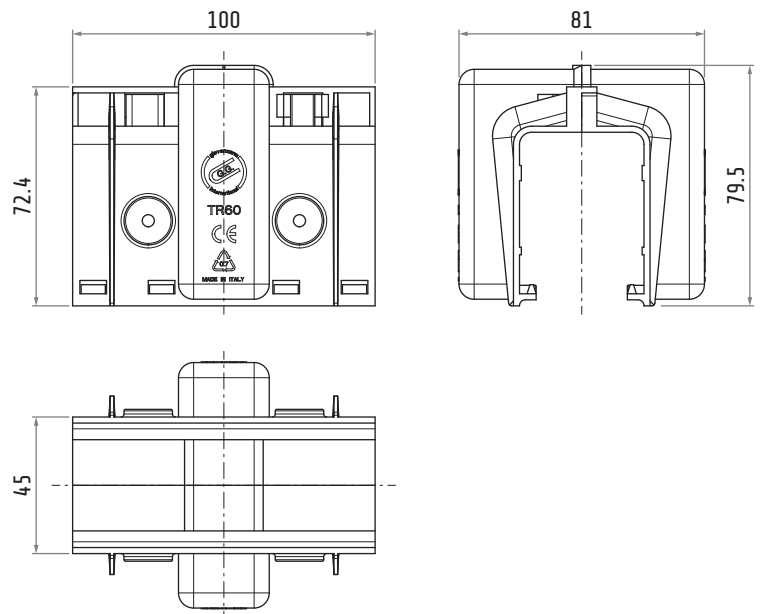
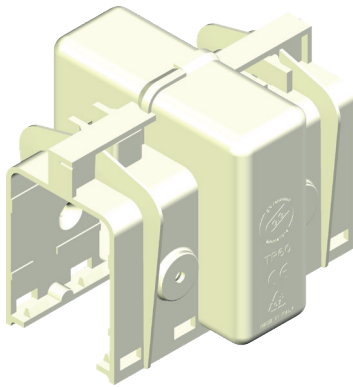
Busbar

Material		rigid PVC
Self-extinguish	UL94 DIN 4102 D.M. 6/7/83	V0 B2 CI
Ultimate tensile strenght	ISO R527	@ 23°C 430 kg/cm ³
Yield point	ISO R527	@ 23°C 460 kg/cm ³
Modulus of elasticity	ISO R178	@ 23°C 30000 kg/cm ³
Impact resistance	DIN 53453	unbroken
Dielectric strenght	ASTM 149	25 kV/mm
Softening temperature - Vicat	ISO R306 49N	82°C
Protection class	CEI EN 60529	IP13 IP44 with gasket
Flammability resistance	UL94 CEI EN 60695-2-1	V0 960°C
Ambient temperature	operating storage	-30 ... +55°C -30 ... +70°C
Admissible trolley speed	max	200 m/min



TR6001W

JOINT UNIT

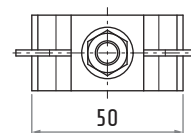
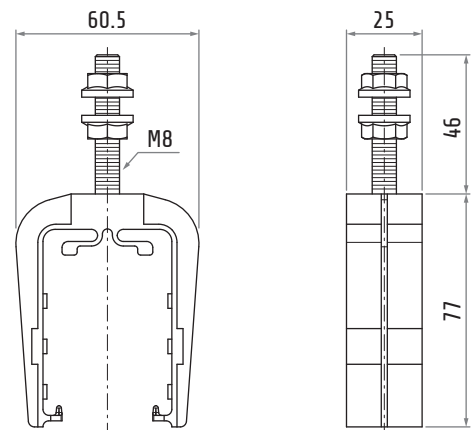
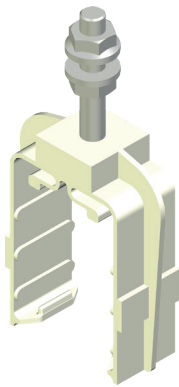


Material	body	nylon
Weight		~90 g



TR6002W

PLASTIC HANGER CLAMP

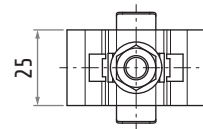
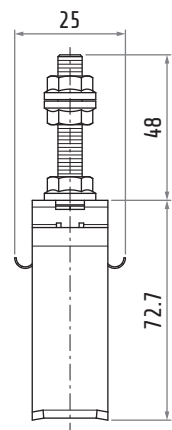
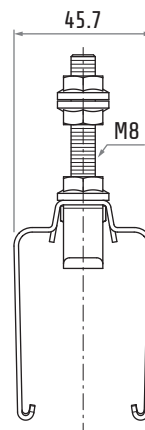
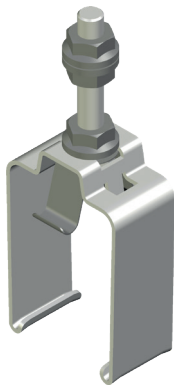


Material	body	nylon
	hardware	galvanized steel
Weight		~70 g



TR6020

METALLIC HANGER CLAMP

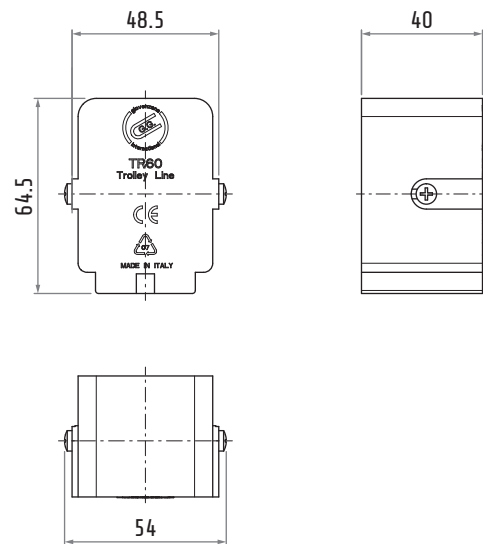
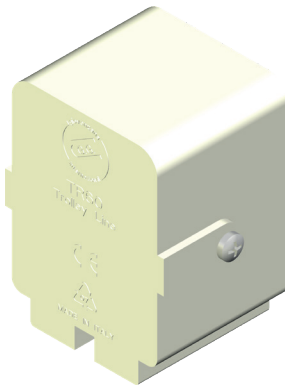


Material	body	galvanized steel
	hardware	galvanized steel
Weight		~100 g



TR6006W

END CAP



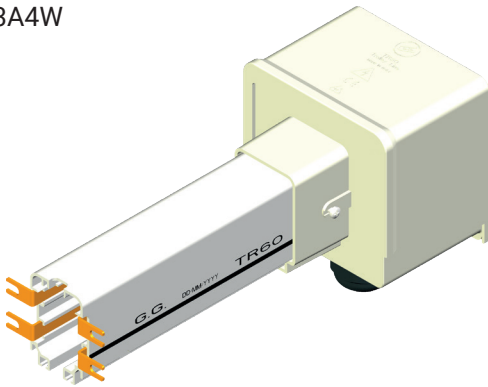
Material	body	nylon
Weight		~35 g

TR6003A4W

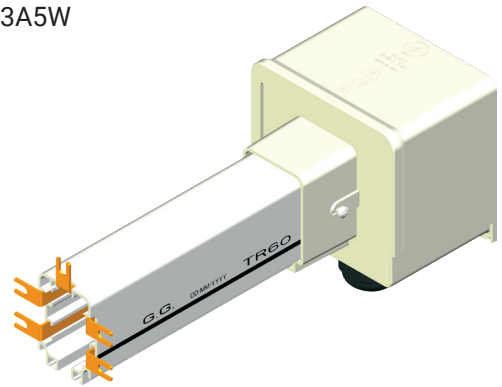
TR6003A5W

HEAD FEED

TR6003A4W

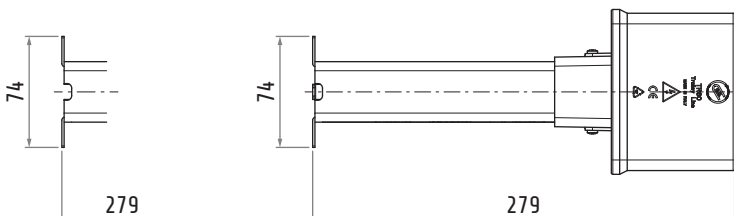
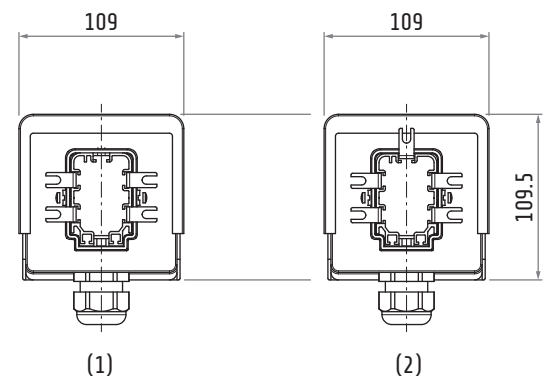
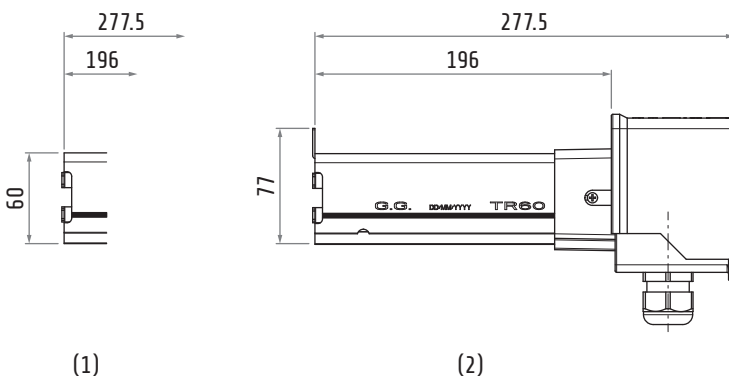


TR6003A5W



Material	body busbar conductors	nylon PVC copper
Weight	~470 g	
Conductors	4	
Conductors section	15 mm ² 10 × 1.5 mm	

Material	body busbar conductors	nylon PVC copper
Weight	~505 g	
Conductors	5	
Conductors section	15 mm ² 10 × 1.5 mm	



- | | |
|-----|--------------|
| (1) | 4 conductors |
| (2) | 5 conductors |

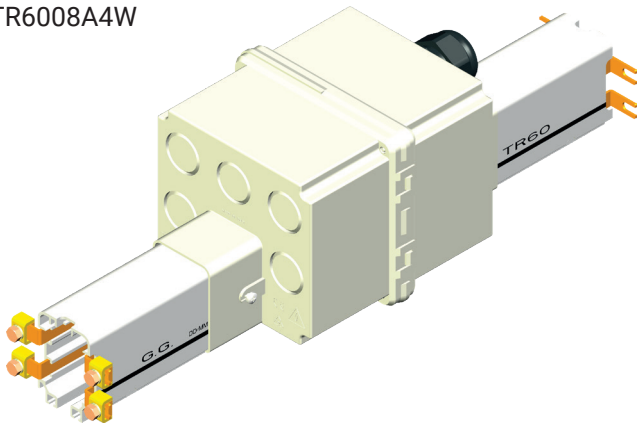
Dimensions in mm / illustrations NOT in scale

TR6008A4W

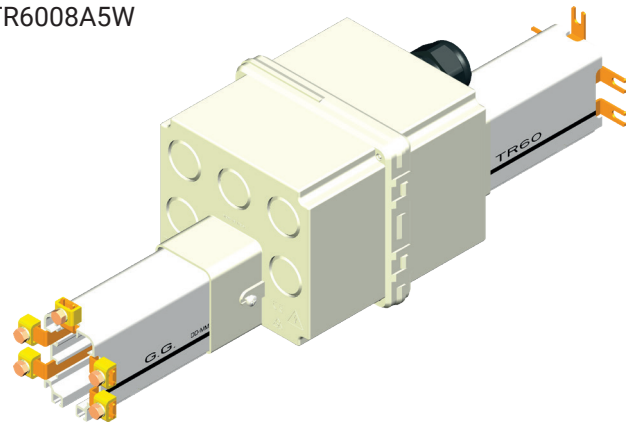
TR6008A5W

IN-LINE FEED

TR6008A4W

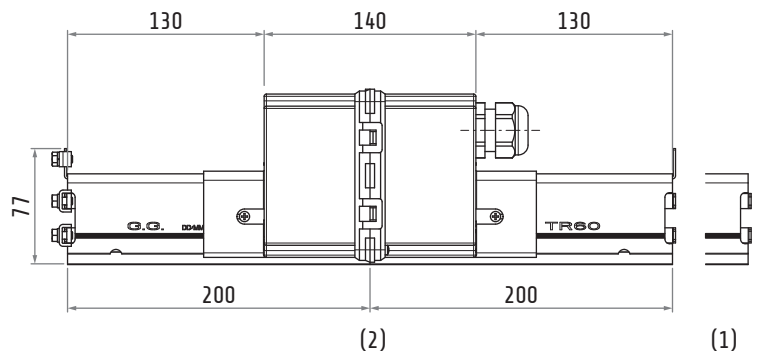
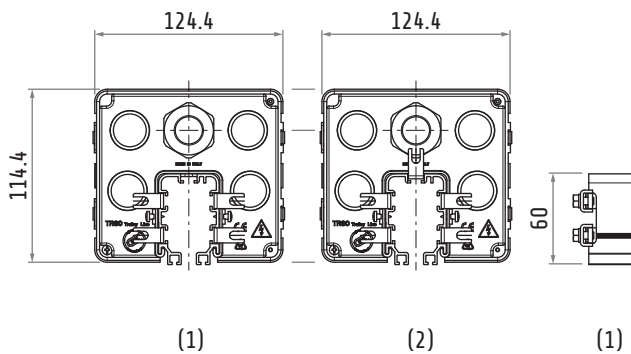


TR6008A5W

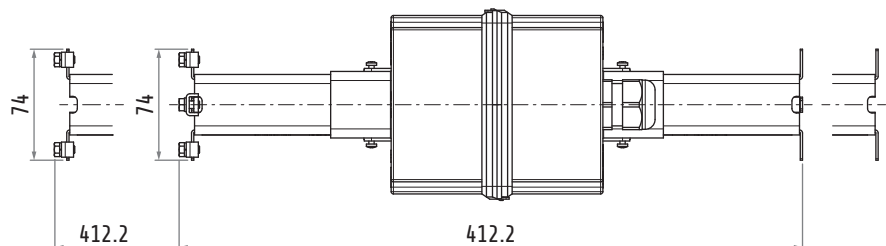


Material	body busbar conductors	nylon PVC copper
Weight	~805 g	
Conductors	4	
Conductors section	15 mm ² 10 × 1.5 mm	

Material	body busbar conductors	nylon PVC copper
Weight	~875 g	
Conductors	5	
Conductors section	15 mm ² 10 × 1.5 mm	



- (1) 4 conductors
- (2) 5 conductors



Dimensions in mm / illustrations NOT in scale

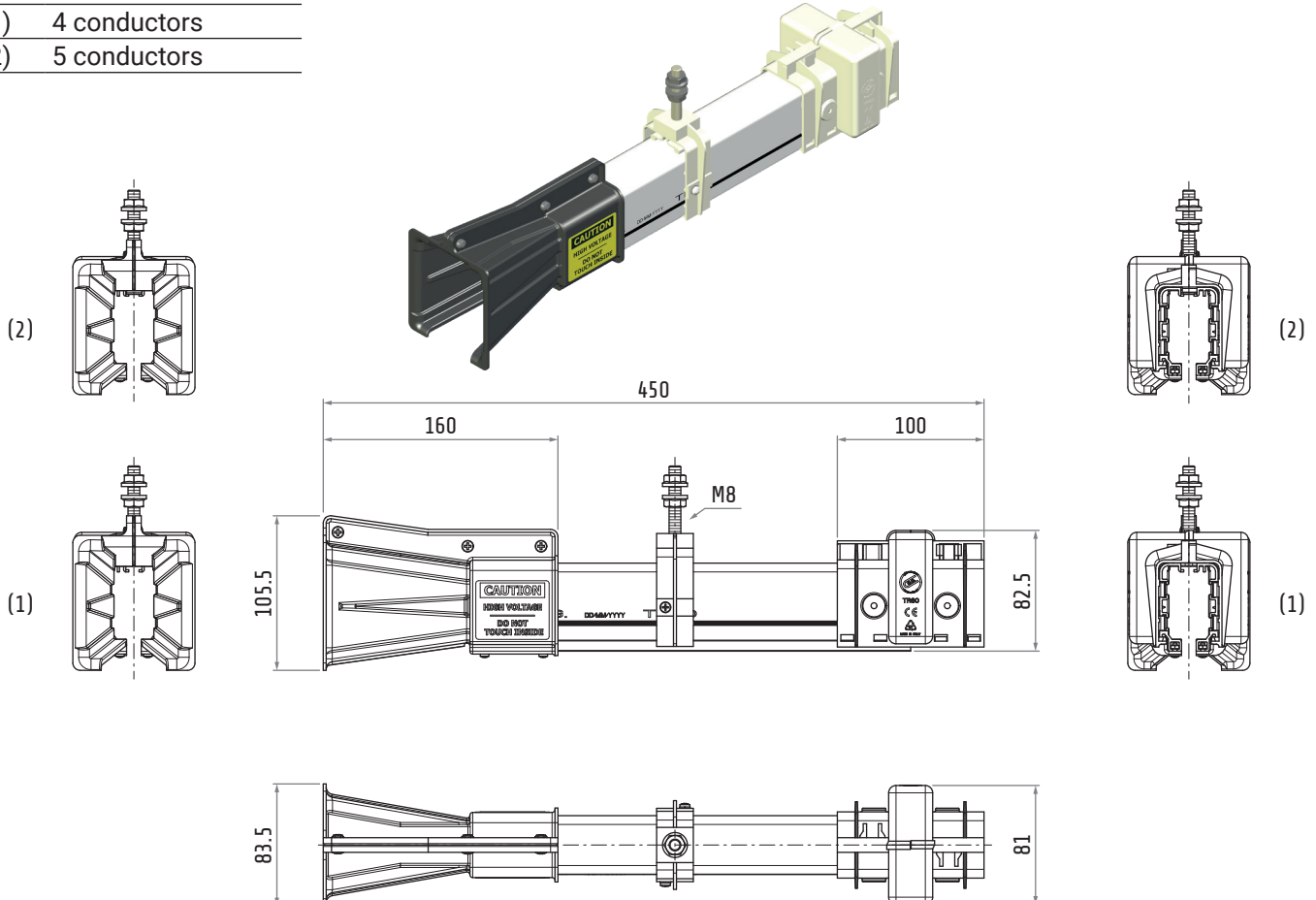
TR6034A4W

TR6034A5W

LEFT END TRANSFER GUIDE

		TR6034A4W	TR6034A5W
Material	hanger, joint busbar guide conductors hardware	nylon PVC ABS copper galvanized steel	nylon PVC ABS copper galvanized steel
Weight		~ 630 g	~677 g
Conductors		4	5
Conductors section		15 mm ² 10 × 1.5 mm	15 mm ² 10 × 1.5 mm

- (1) 4 conductors
- (2) 5 conductors



Dimensions in mm / illustrations NOT in scale

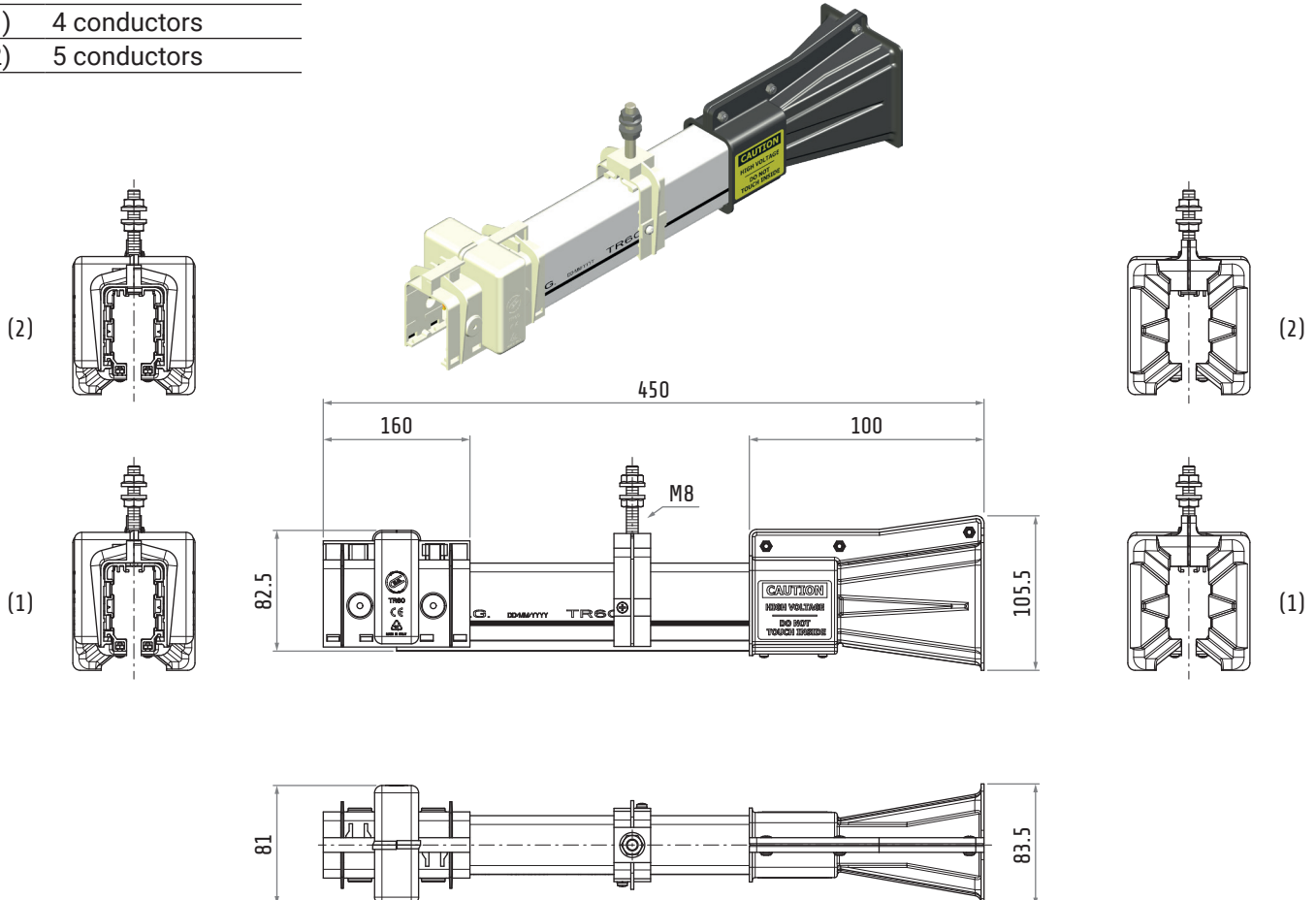
TR6035A4W

TR6035A5W

RIGHT END TRANSFER GUIDE

		TR6035A4W	TR6035A5W
Material	hanger, joint busbar guide conductors hardware	nylon PVC ABS copper galvanized steel	nylon PVC ABS copper galvanized steel
Weight		~ 630 g	~677 g
Conductors		4	5
Conductors section		15 mm ² 10 × 1.5 mm	15 mm ² 10 × 1.5 mm

- (1) 4 conductors
- (2) 5 conductors



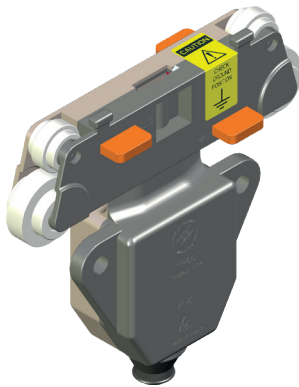
Dimensions in mm / illustrations NOT in scale

TR6004

TR6005

TROLLEY CURRENT COLLECTOR

TR6004

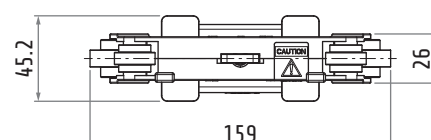
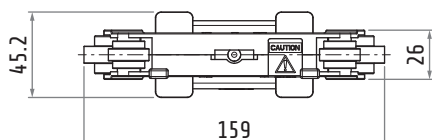
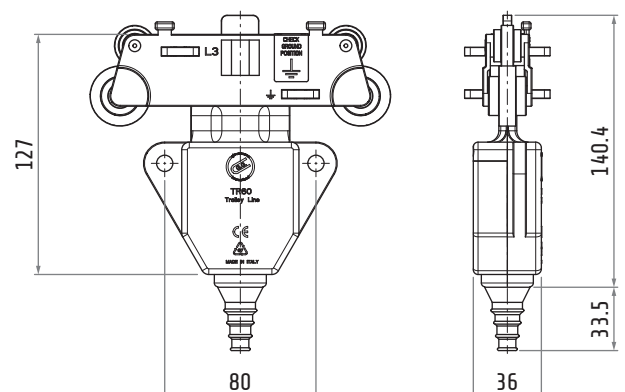
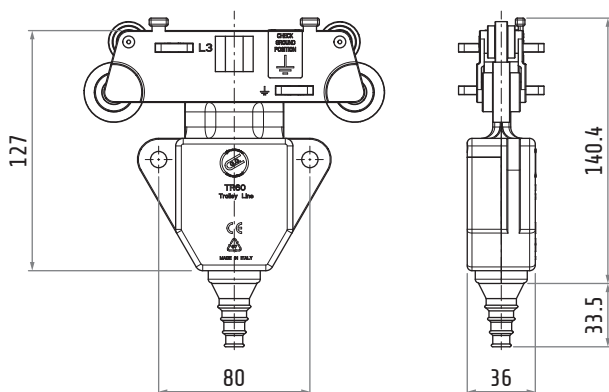


TR6005



Material	body conductors	nylon metal carbon
Weight		~255 g
Amperage		25 A
Conductors		4

Material	body conductors	nylon metal carbon
Weight		~270 g
Amperage		25 A
Conductors		5

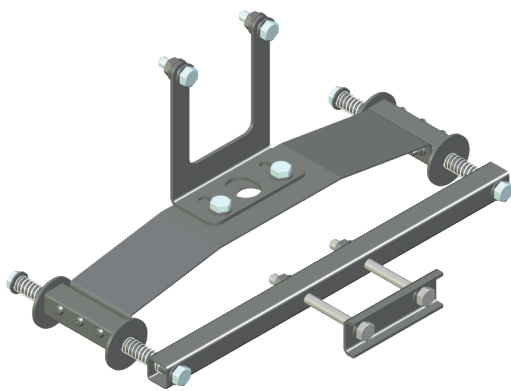


Dimensions in mm / illustrations NOT in scale

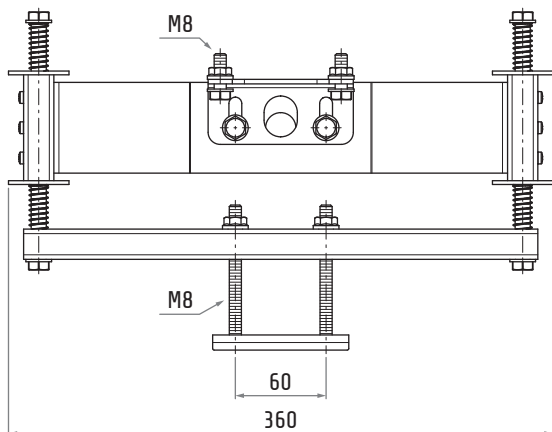
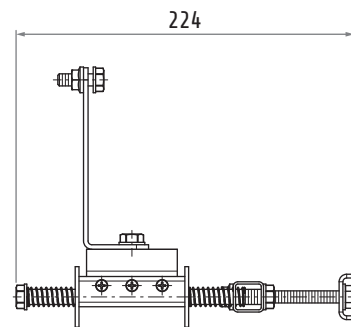
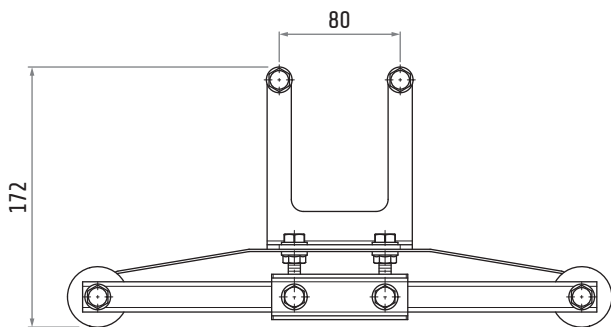


TR8538

SPRING LOADED TOWING ARM



Material	body	galvanized steel
	hardware	galvanized steel
Weight		~1.27 kg

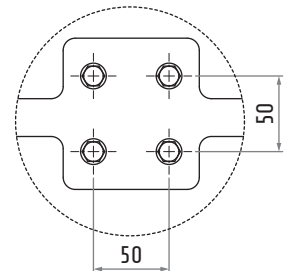
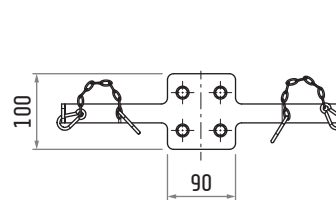
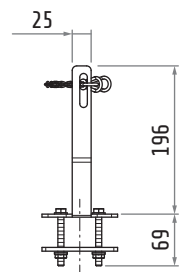
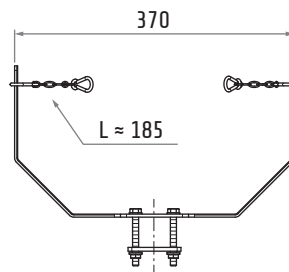
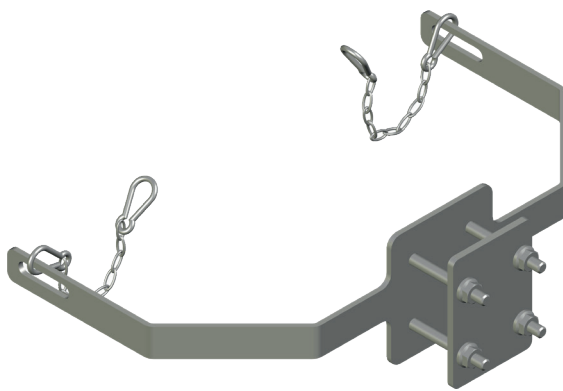


Dimensions in mm / illustrations NOT in scale



TR8557

TOWING ARM WITH CHAIN

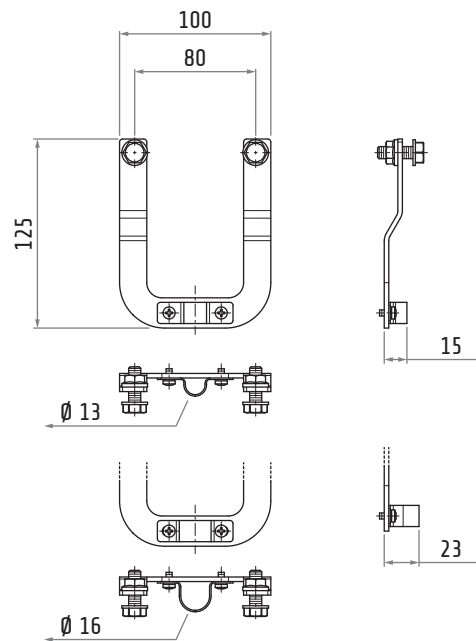
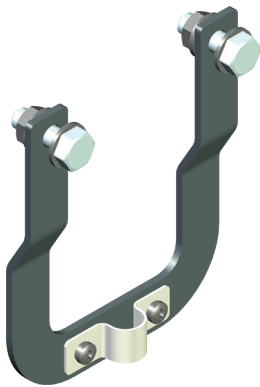


Material	body	galvanized steel
	hardware	galvanized steel
Weight		~1.4 kg



TR6007

TOWING ARM BRACKET

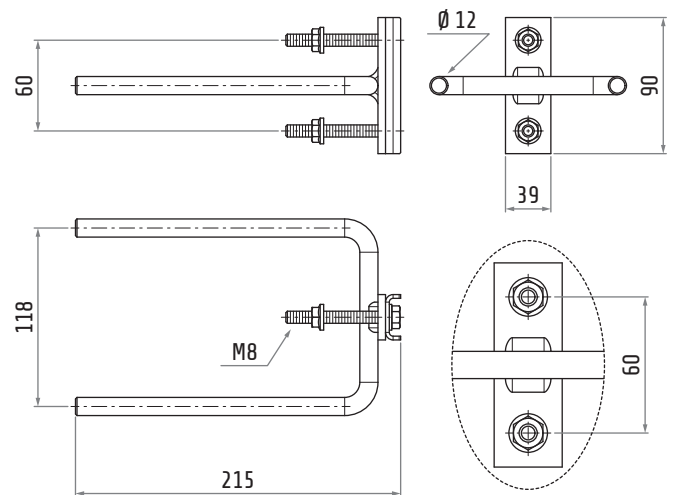
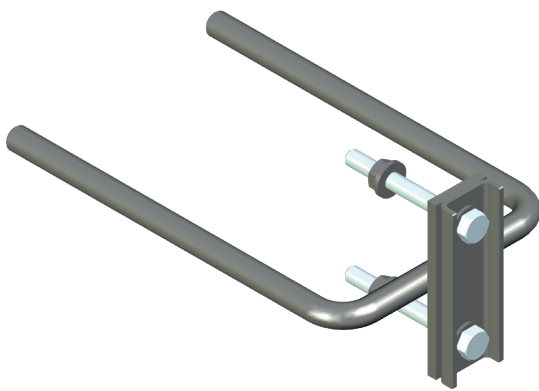


Material	body	galvanized steel
	hardware	galvanized steel
Weight		~185 g



TR8510

TOWING ARM

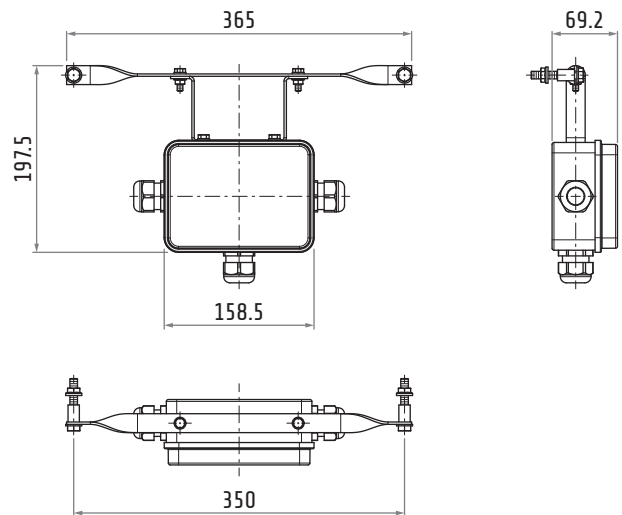
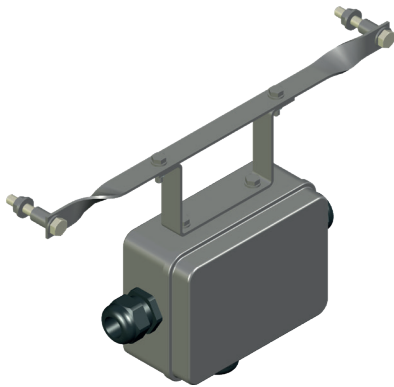


Material	body	galvanized steel
	hardware	galvanized steel
Weight		~725 g



TR6013

DOUBLE TROLLEY SUPPORT

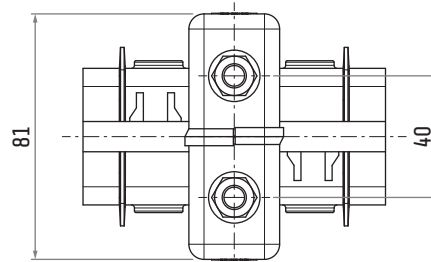
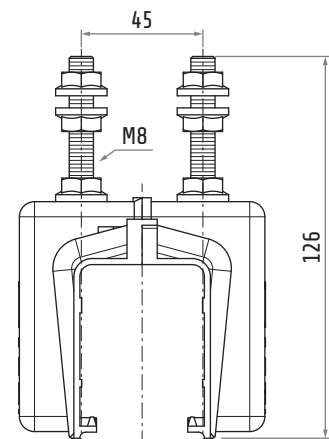
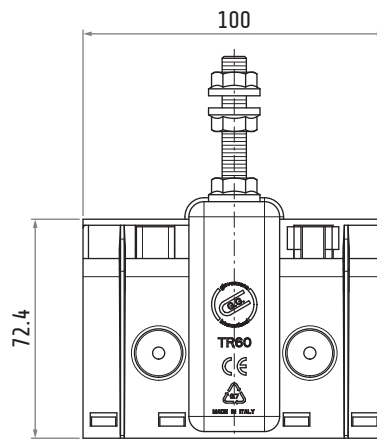
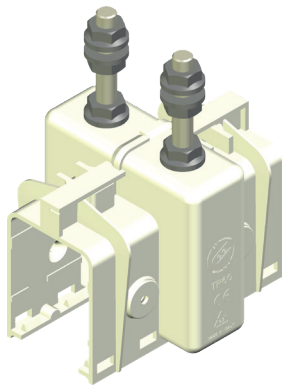


Material	box body hardware	plastic galvanized steel galvanized steel
Weight		~690 g



TR6014W

FIXED POINT

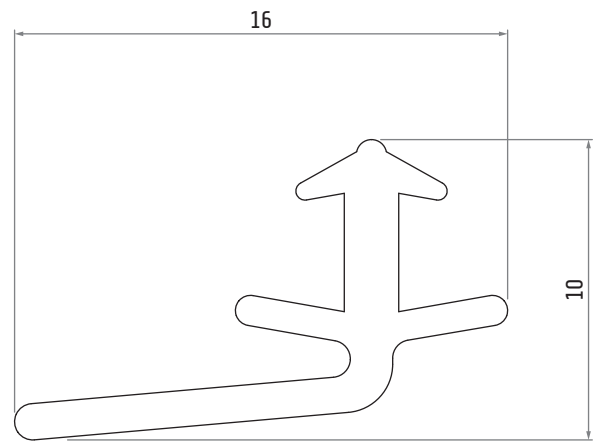
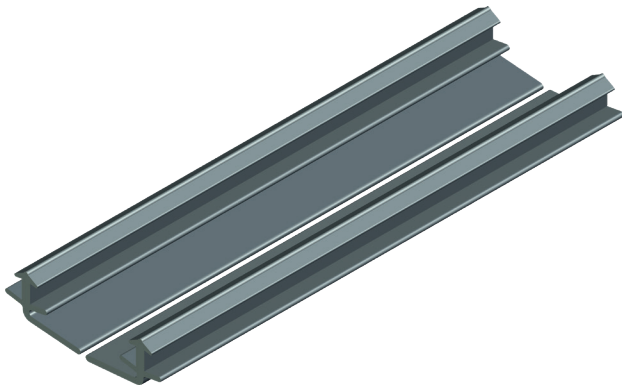


Material	body	nylon
	hardware	galvanized steel
Weight		~160 g



TR6012

GASKET

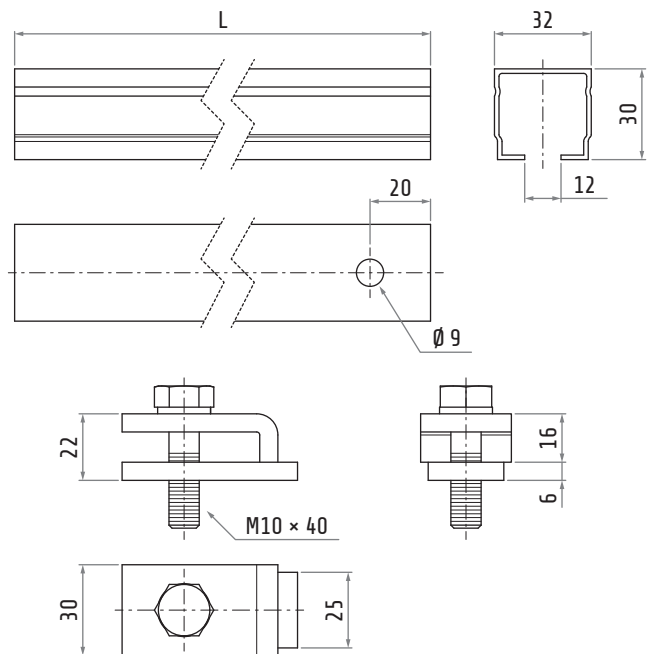
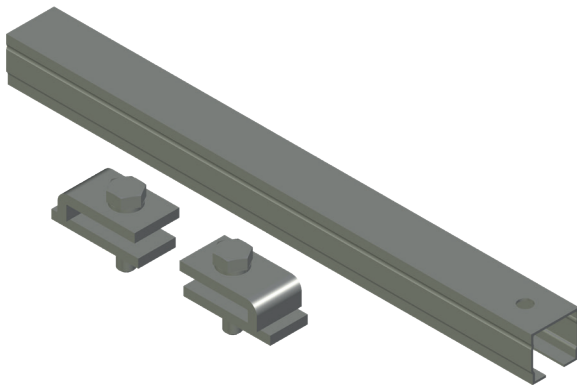


Material	PVC
Weight	~40 g/m



TR8550 TR8551 TR8552

SUPPORT BRACKET



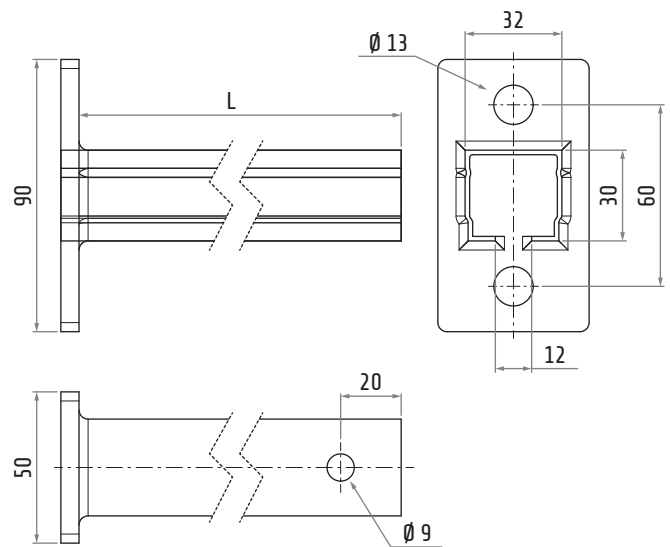
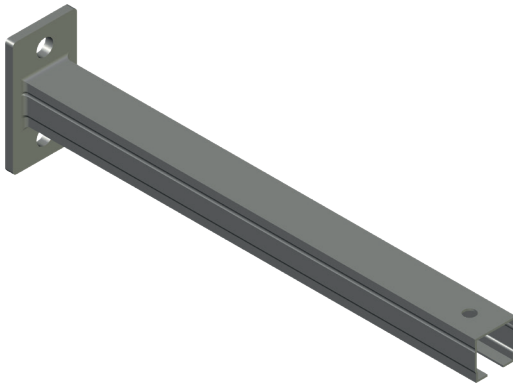
Material	galvanized steel	
	L	Weight
TR8550	350 mm	~780 g
TR8551	500 mm	~960 g
TR8552	700 mm	~1200 g



TR8555

TR8556

WALL FIXING SUPPORT BRACKET



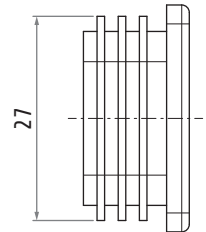
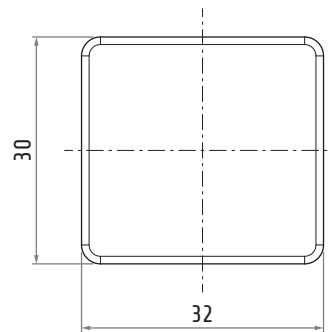
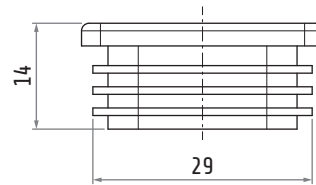
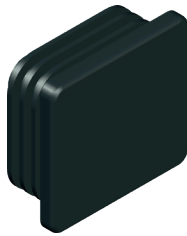
Material	galvanized steel
----------	------------------

	L	Weight
TR8555	350 mm	~640 g
TR8556	500 mm	~820 g



30607015

END CAP

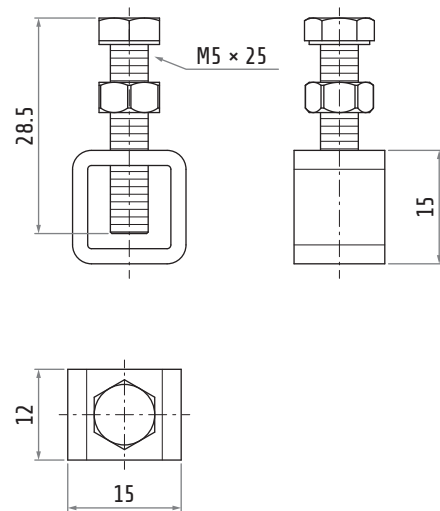
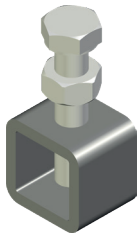


Material	nylon
Weight	~6 g



TR6018

CONDUCTORS CONNECTION CLAMP

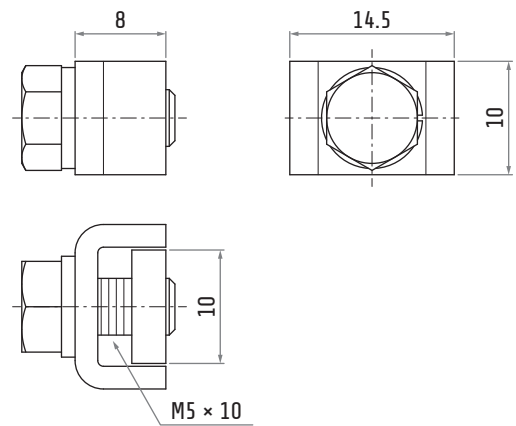
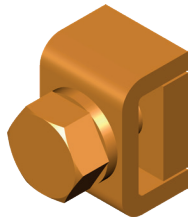


Material	galvanized steel
Weight	~15 g



TR6015

CONDUCTORS CONNECTION CLAMP



Material	brass
Weight	~10 g