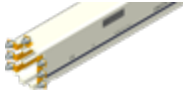






















Energy transmission system fitted with 7 conductors with joints.  
Operating current: 50, 100 or 160 A, depending on the busbar. 200 A and 320 A are also available as parallel configuration of 100 A and 160 A.  
Marking: CE, EAC.

# TR85H7P PRE-MOUNTED

**BUSBAR SYSTEM WITH 7 PRE-MOUNTED  
CONDUCTORS (SIZES: 50 A, 100 A, 160 A)**

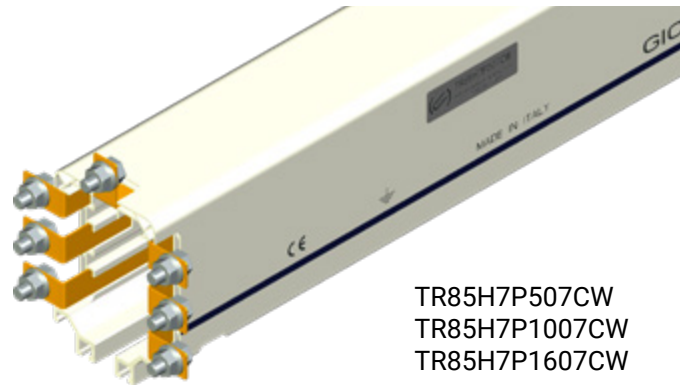
	TR85H7Px7CW 7 conductors 50 / 100 / 160 A busbar
	TR85H7P007W Plastic joint unit
	TR8502W - TR8525 Plastic and metallic hanger clamp
	TR8506W End cap
	TR85H7P005A7W 7 conductors head feed
	TR85H7P03A7W In-line feed
	TR8564 Transition box
	TR85H7P001 Single trolley current collector (35 A)
	TR85H7P002 Double trolley current collector (70 A)
	TR85H7P010 Triple trolley current collector (105 A)
	TR8557 Single towing arm with chain
	TR8558 Double towing arm with chain

	TR8559 Triple towing arm with chain
	TR8561 Single trolley connection clamp
	TR8562 Double / triple trolley connection clamp
	TR8527.1 Fixed point
	TR85H7P45W Section joint
	TR8505S Gasket
	Accessories



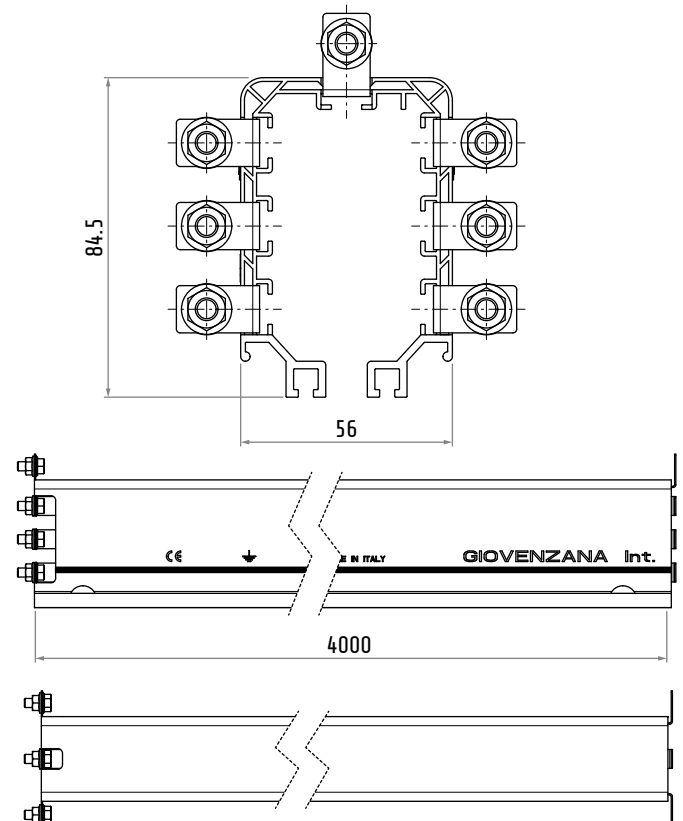
# TR85H7P..7CW

## BUSBAR



TR85H7P507CW  
TR85H7P1007CW  
TR85H7P1607CW

Custom curved bars available on request (with 6 conductors only and with a minimum radius of 1000 mm).

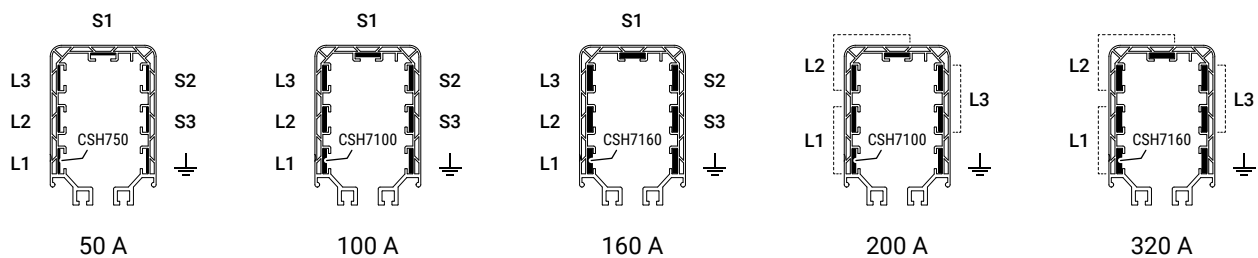


Dimensions in mm / illustrations NOT in scale

Conductors	7	TR85H7P507CW	TR85H7P1007CW	TR85H7P1607CW
Conductors material		ETP copper	ETP copper	ETP copper
Rated current	23°C	50 A	100 A	160 A
Rated operating voltage	Ue	600 V AC	600 V AC	600 V AC
Frequency		50 Hz	50 Hz	50 Hz
Short circuit current		10 kA	10 kA	10 kA
Class gG fuse rating		50 A	100 A	160 A
Resistance		$11.33 \cdot 10^{-4} \Omega/m$	$7.83 \cdot 10^{-4} \Omega/m$	$5.48 \cdot 10^{-4} \Omega/m$
Impedance		$11.38 \cdot 10^{-4} \Omega/m$	$7.87 \cdot 10^{-4} \Omega/m$	$5.55 \cdot 10^{-4} \Omega/m$
Conductors section		10 mm <sup>2</sup> 12.5 × 0.8 mm	22.5 mm <sup>2</sup> 12.5 × 1.8 mm	31.25 mm <sup>2</sup> 12.5 × 2.5 mm
Weight of busbar complete of conductors	7	1.70 kg/m	2.75 kg/m	3.125 kg/m

200 A and 320 A are also available as parallel configuration of 100 A and 160 A.

#### Possible configurations



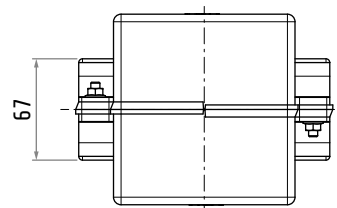
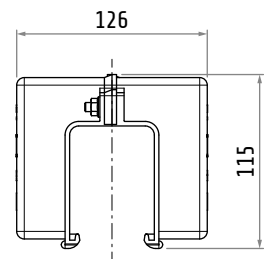
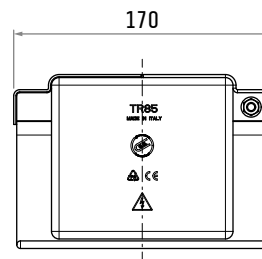
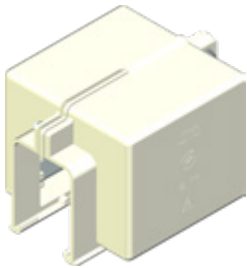
#### Busbar

Material		rigid PVC
Self-extinguish	UL94 DIN 4102 D.M. 6/7/83	V0 B2 CI
Ultimate tensile strength	ISO R527 @ 23°C	430 kg/cm <sup>3</sup>
Yield point	ISO R527 @ 23°C	460 kg/cm <sup>3</sup>
Modulus of elasticity	ISO R178 @ 23°C	30000 kg/cm <sup>3</sup>
Impact resistance	DIN 53453	unbroken
Dielectric strength	ASTM 149	25 kV/mm
Softening temperature - Vicat	ISO R306 49N	82°C
Protection class	CEI EN 60529	IP13 IP44 with gasket
Flammability resistance	UL94 CEI EN 60695-2-1	V0 960°C
Ambient temperature	operating storage	-30 ... +55°C -30 ... +70°C
Admissible trolley speed	max	200 m/min



# TR85H7P007W

## EXPANSION JOINT

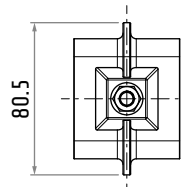
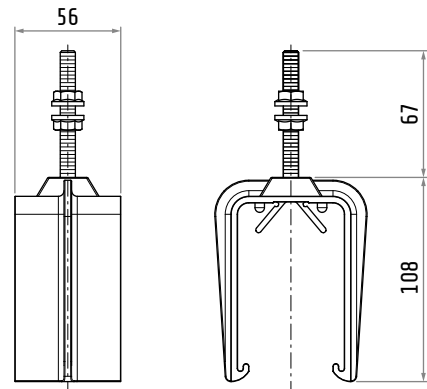


Material	body busbar	nylon PVC
Weight		~360 g



# TR8502W

## PLASTIC HANGER CLAMP

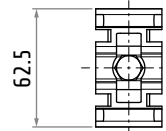
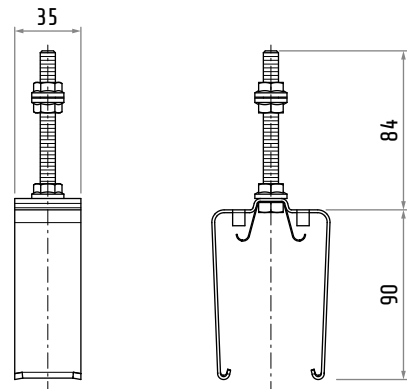
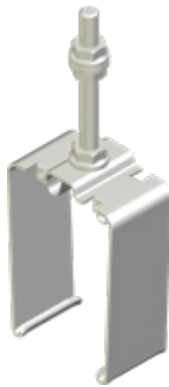


Material	body	nylon
	hardware	galvanized steel
Weight	~110 g	



# TR8525

## METAL HANGER CLAMP

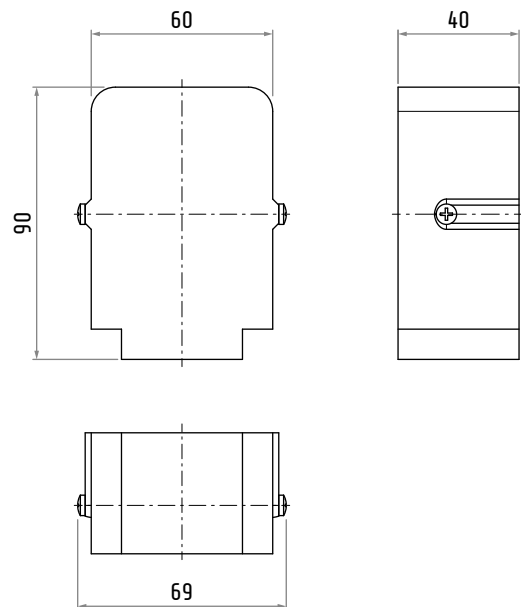
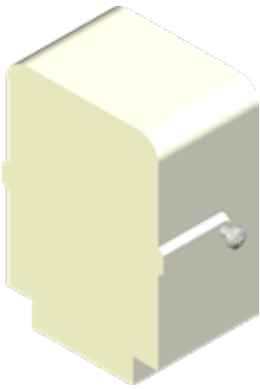


Material	body	galvanized steel
	hardware	galvanized steel
Weight		~155 g



# TR8506W

## END CAP

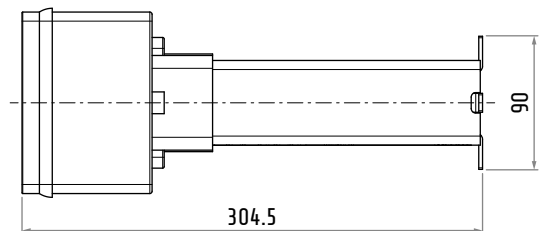
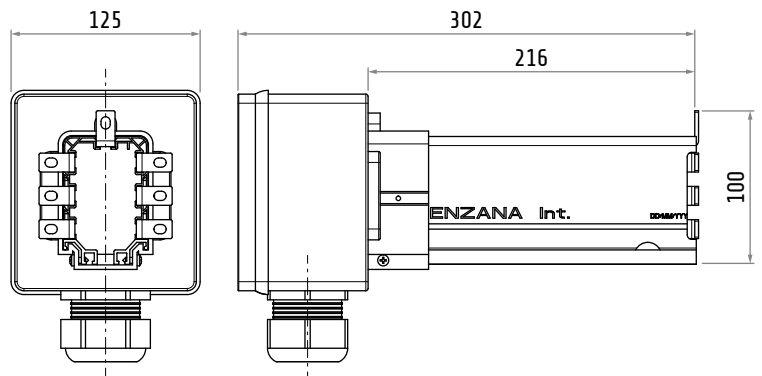
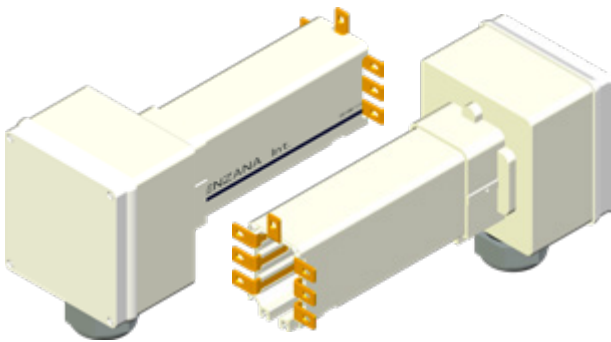


Material	body	nylon
Weight		~35 g



# TR85H7P005A7W

## HEAD FEED



Material	body busbar conductors	nylon PVC copper
Weight		~900 g
Conductors		7
Conductors section		31.25 mm <sup>2</sup> 12.5 × 2.5 mm

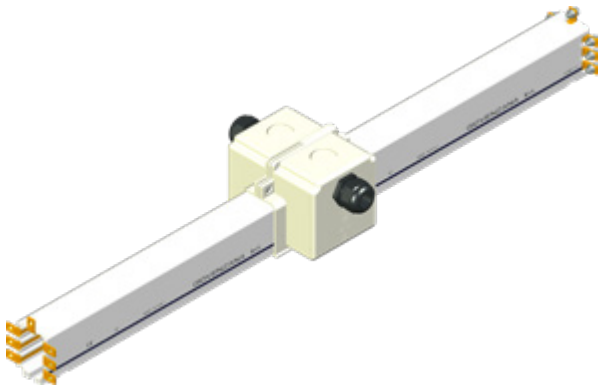
For 50 A and 100 A only.



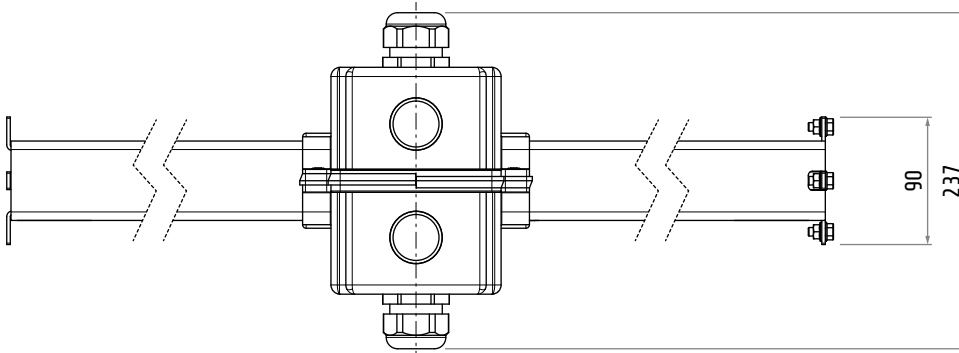
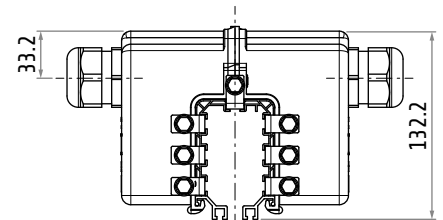
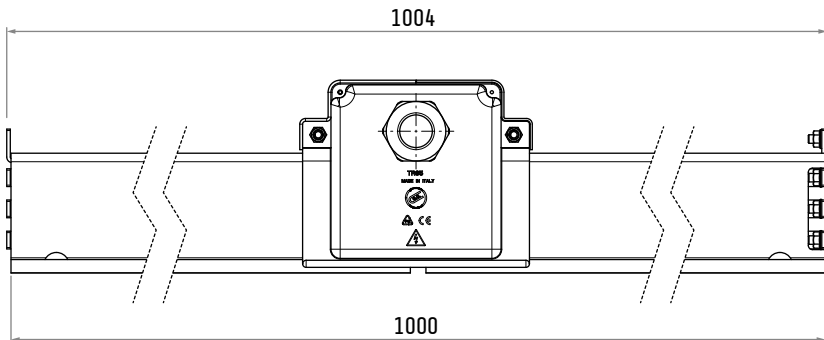


# TR85H7P03A7W

## IN-LINE FEED



Material	body busbar hardware	nylon PVC galvanized steel
Weight	~2700 g	

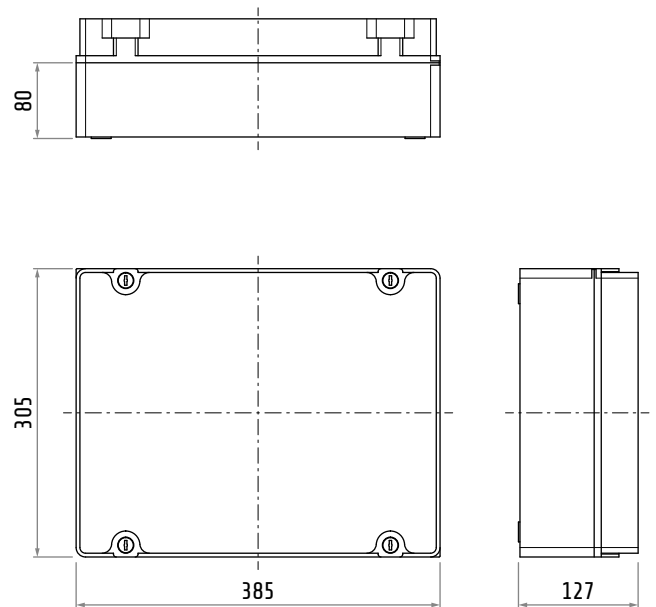
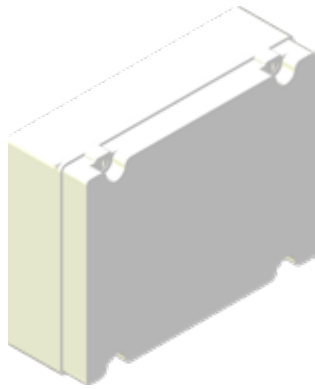


Dimensions in mm / illustrations NOT in scale



# TR8564

## TRANSITION BOX



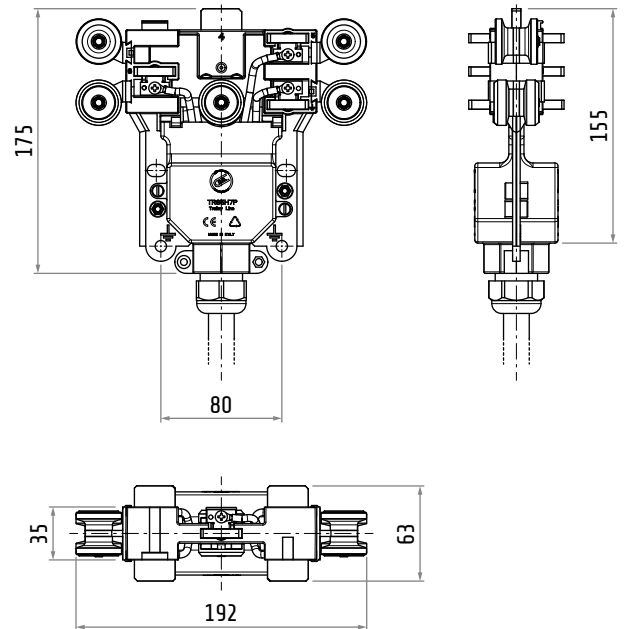
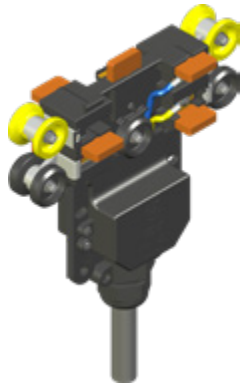
Material	body	ABS
Weight		~3.2 kg

Carries cable glands and connection clamps inside.



# TR85H7P001

## SINGLE TROLLEY CURRENT COLLECTOR

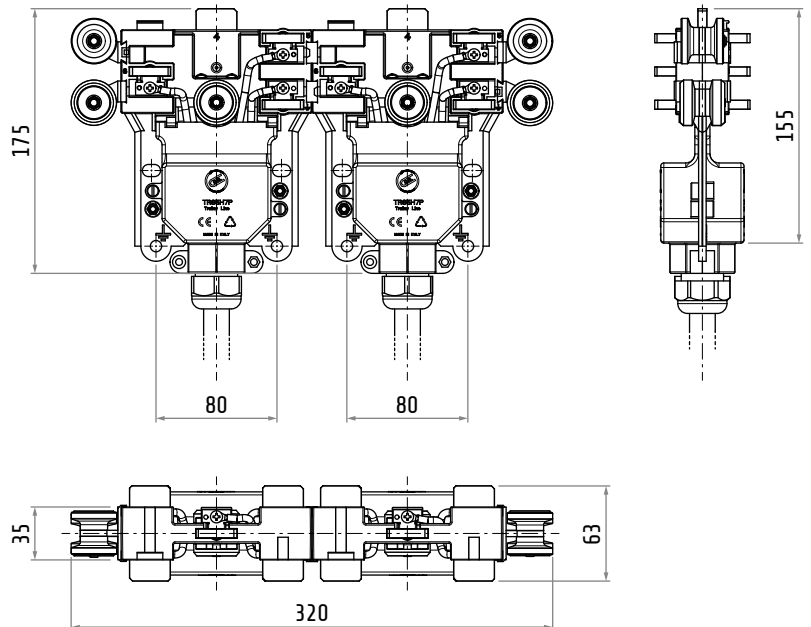
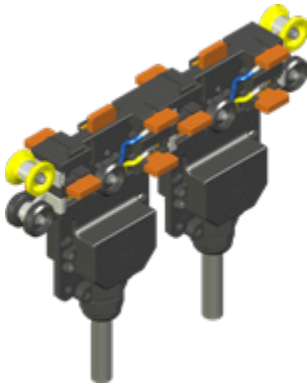


Material	body	nylon
	conductors	metal carbon
Weight		~1370 g
Amperage		35 A
Conductors		7



# TR85H7P002

## DOUBLE TROLLEY CURRENT COLLECTOR

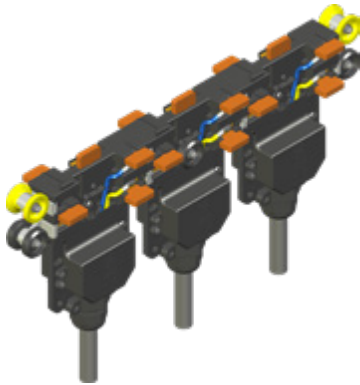


Material	body	nylon
	conductors	metal carbon
Weight	~2700 g	
Amperage	70 A	
Conductors	7	

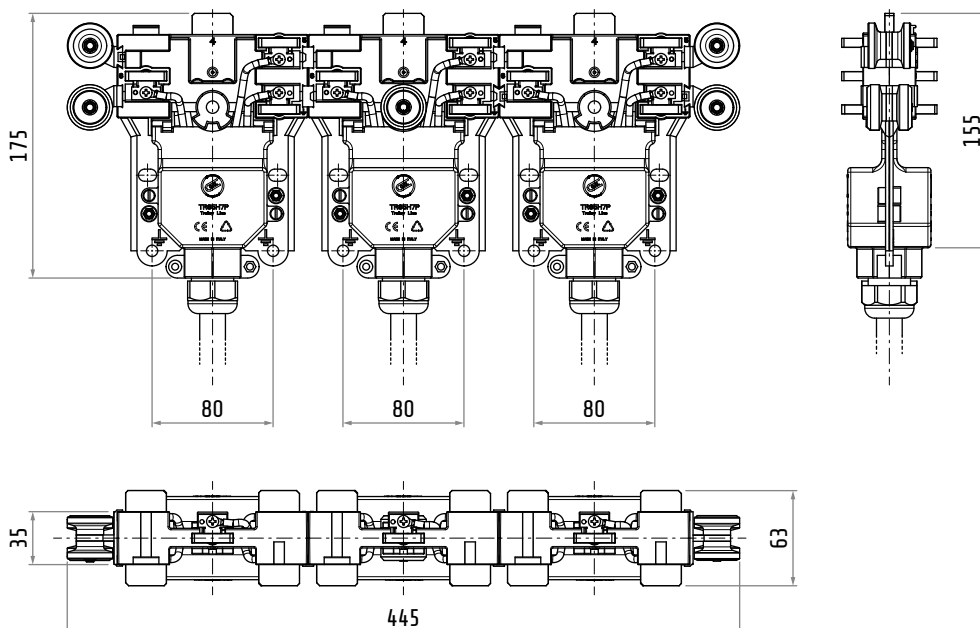


# TR85H7P010

## TRIPLE TROLLEY CURRENT COLLECTOR



Material	body conductors	nylon metal carbon
Weight		~4000 g
Amperage		105 A
Conductors		7

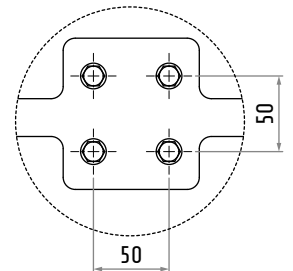
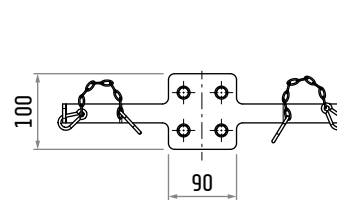
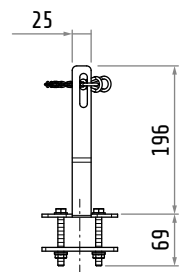
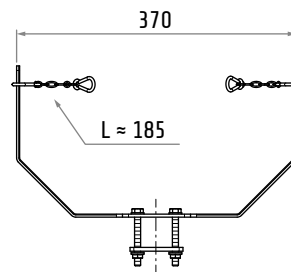
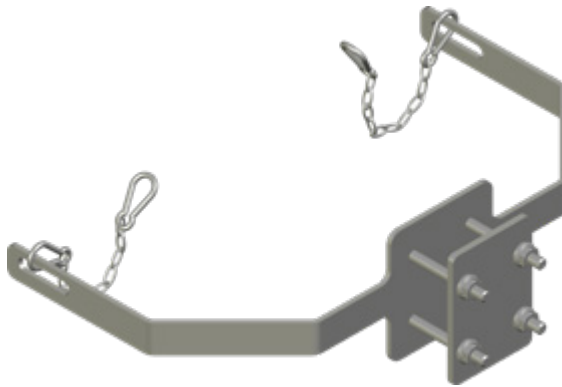


Dimensions in mm / illustrations NOT in scale



# TR8557

## TOWING ARM WITH CHAIN

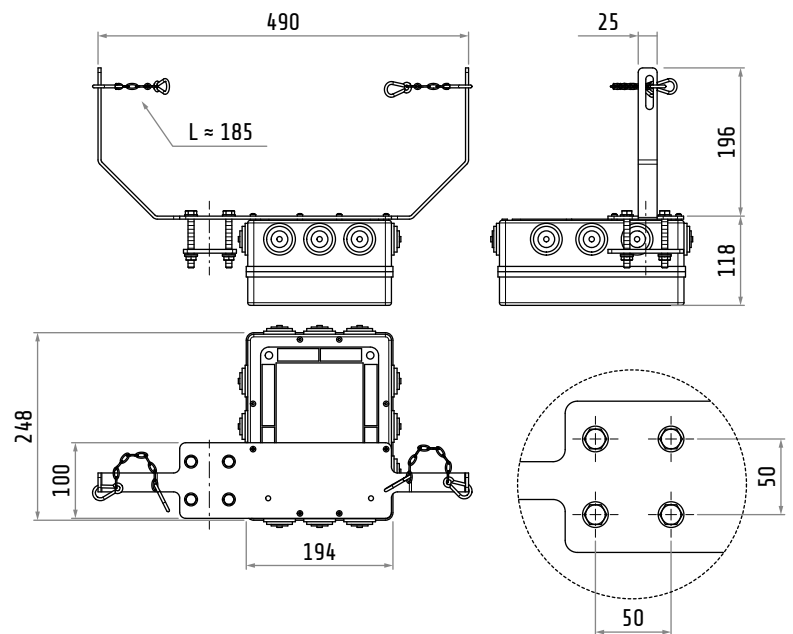
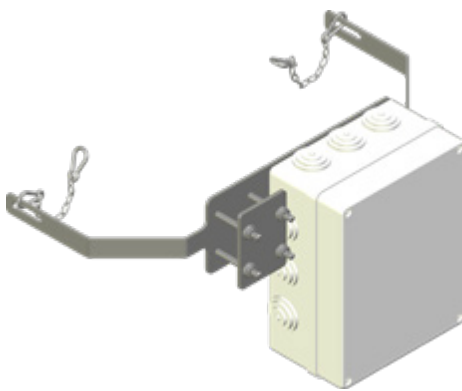


Material	body	galvanized steel
	hardware	galvanized steel
Weight		~1.4 kg



# TR8558

## DOUBLE TOWING ARM WITH CHAIN

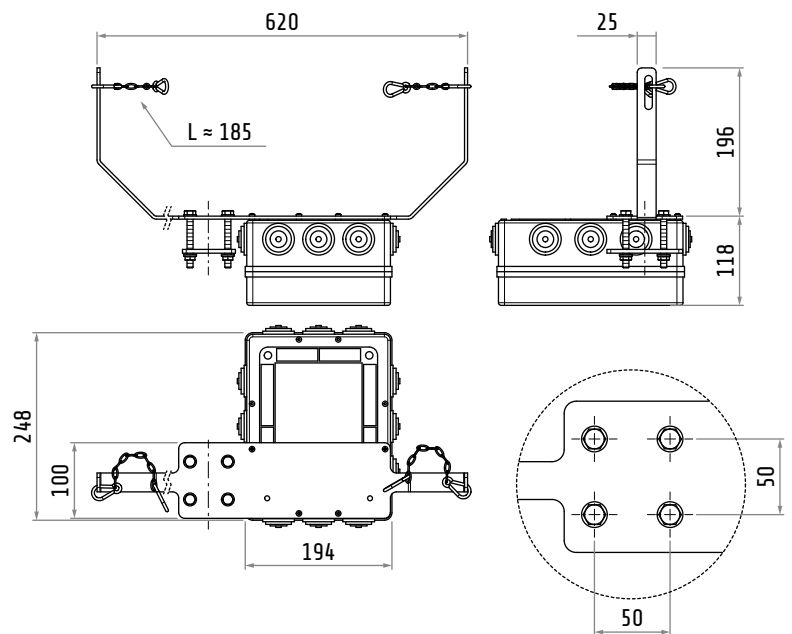
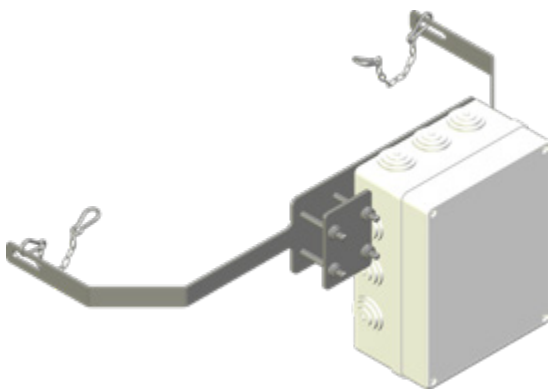


Material	body	plastic
	arm	galvanized steel
	hardware	galvanized steel
Weight		~2.4 kg



# TR8559

## TRIPLE TOWING ARM WITH CHAIN



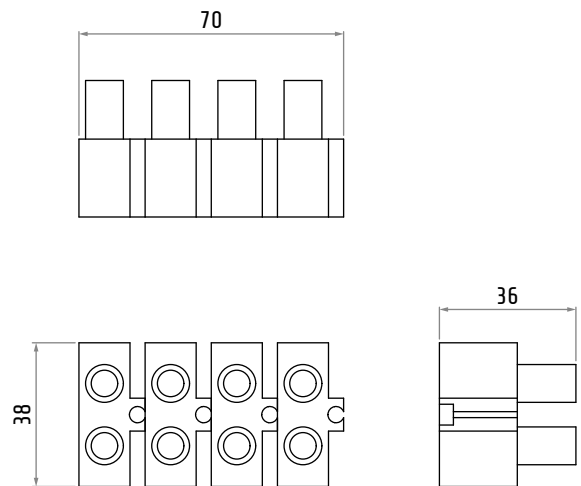
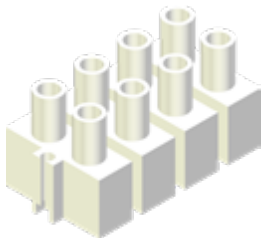
Material	body	plastic
	arm	galvanized steel
	hardware	galvanized steel
Weight	~2.7 kg	





# TR8561

## SINGLE TROLLEY CONNECTION CLAMP

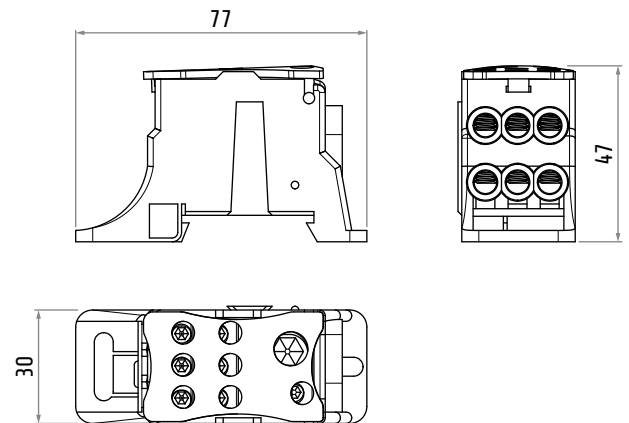
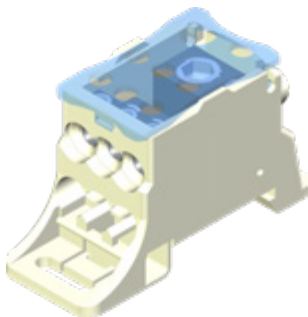


Material	plastic
Weight	~80 g



# TR8562

## DOUBLE / TRIPLE TROLLEY CONNECTION CLAMP

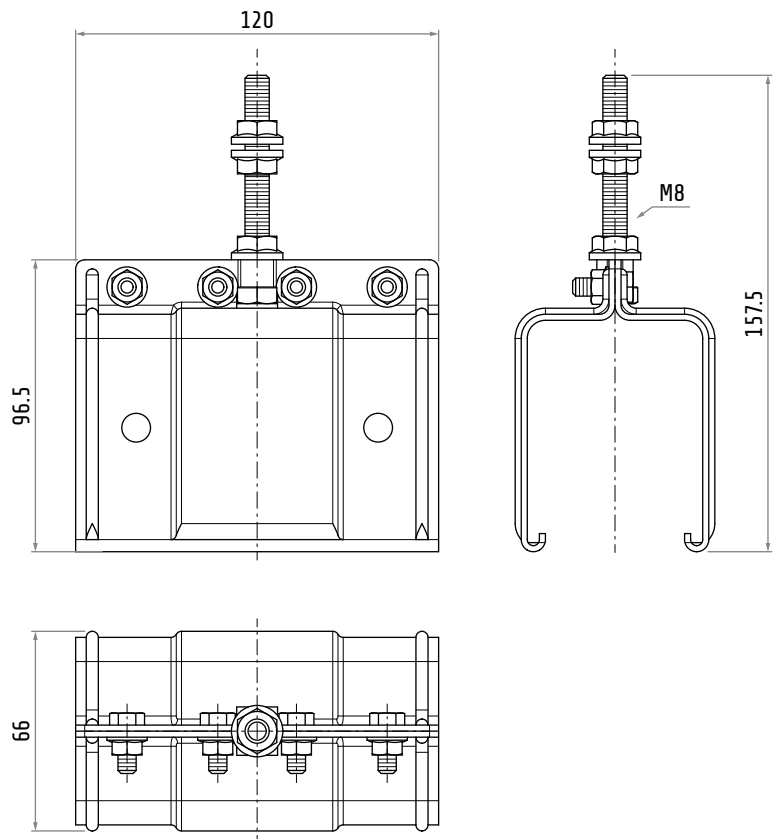
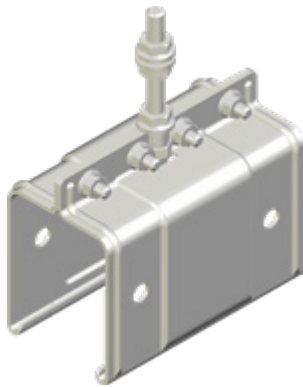


Material	plastic
Weight	~150 g



# TR8527.1

## FIXED POINT

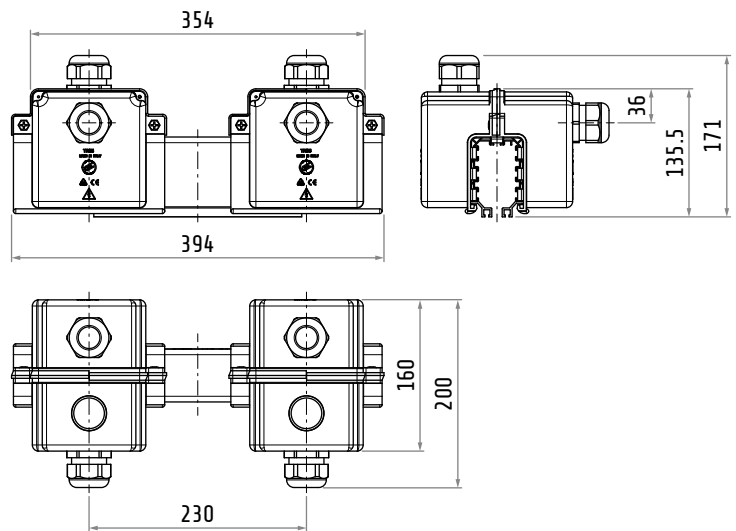
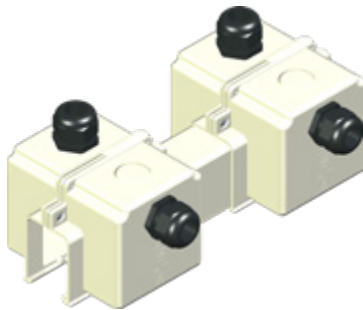


Material	body	nylon
	hardware	galvanized steel
Weight		~160 g



# TR85H7P45W

## SECTION JOINT

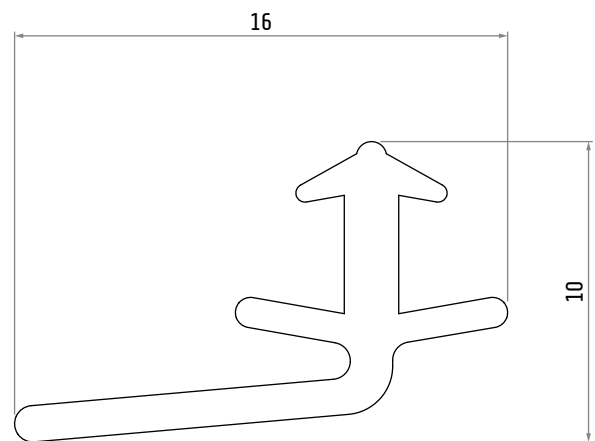
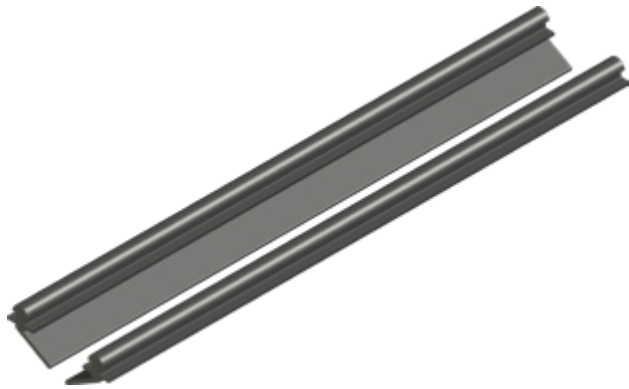


Material	body busbar	nylon PVC
Weight		~1300 g



# TR8505S

## GASKET

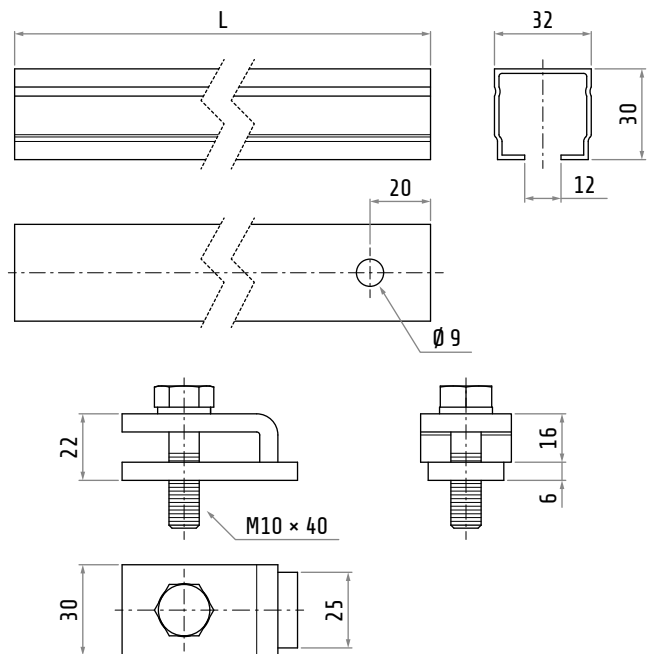
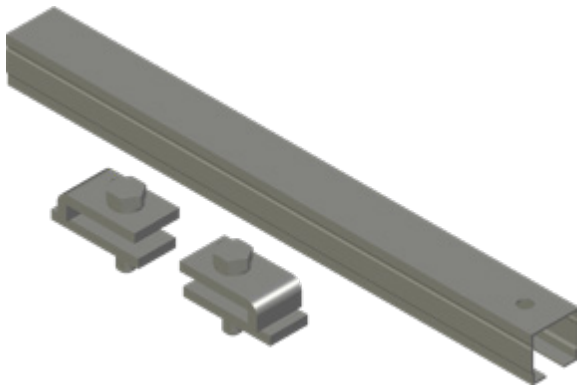


Material	PVC
Weight	~40 g/m



# TR8550 TR8551 TR8552

## SUPPORT BRACKET



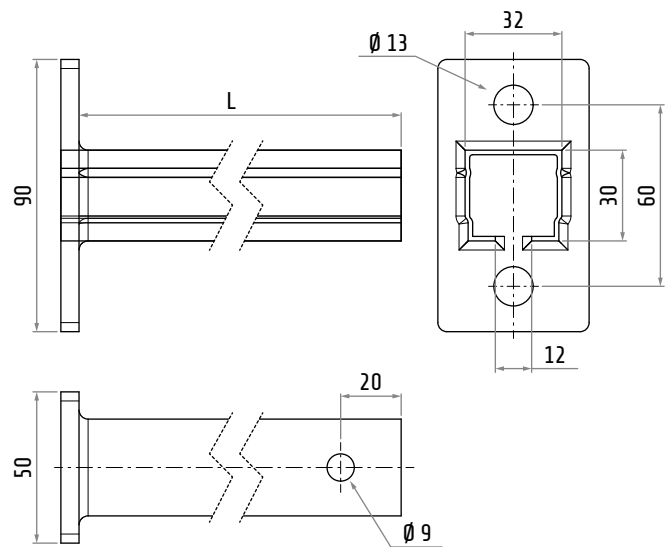
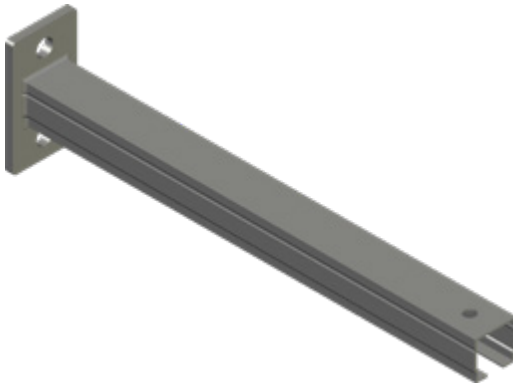
Material	galvanized steel	
	L	Weight
TR8550	350 mm	~780 g
TR8551	500 mm	~960 g
TR8552	700 mm	~1200 g



# TR8555

# TR8556

## WALL FIXING SUPPORT BRACKET



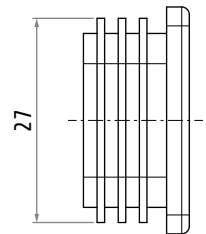
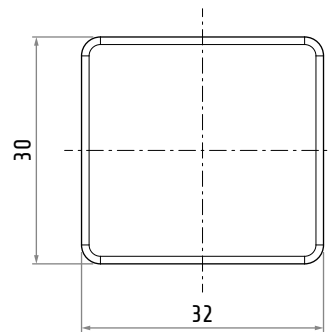
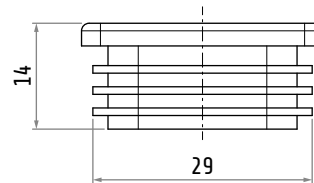
Material	galvanized steel
----------	------------------

	L	Weight
TR8555	350 mm	~640 g
TR8556	500 mm	~820 g



# 30607015

## END CAP



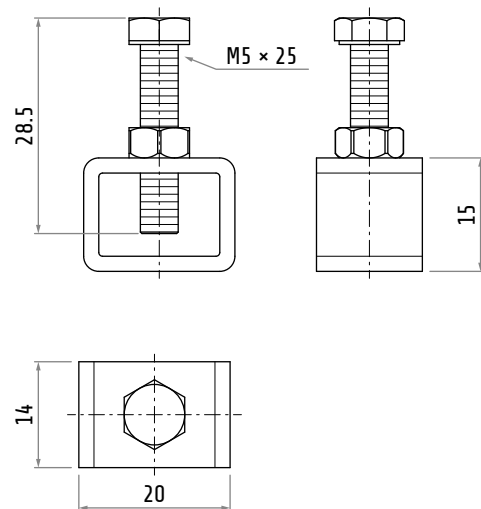
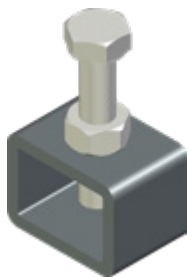
Material	nylon
Weight	~6 g





# TR8546

## CONDUCTORS CONNECTION CLAMP

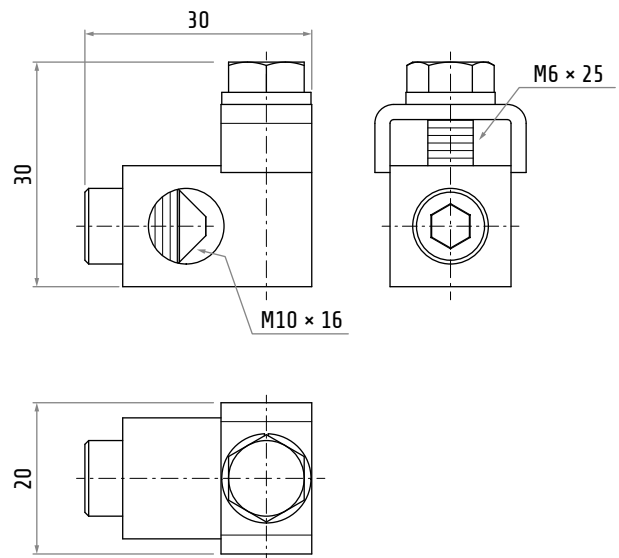
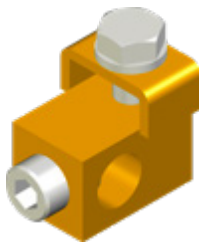


Material	galvanized steel
Weight	~18 g



# TR8537

## CONDUCTORS CONNECTION CLAMP FOR INLINE FEEDING BOX



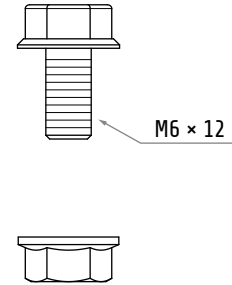
Material	body hardware	brass galvanized steel
Weight		~60 g



# 11606075

# 11612013

## CONDUCTORS CONNECTION KIT

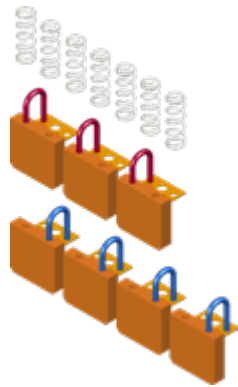


Material		galvanized steel
Weight	11606075	~6 g
	11612013	~3.5 g



# TR85H7P020K

**BRUSH KIT REPLACEMENT FOR TR85H7P001,  
TR85H7P002 AND TR85H7P010**

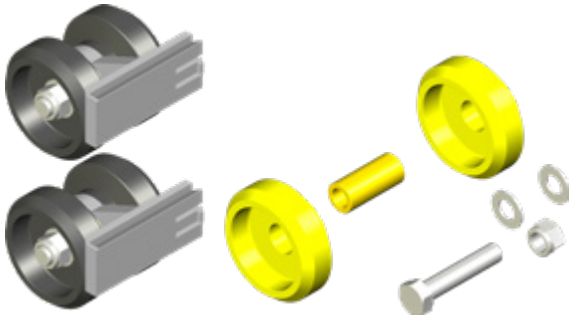


Material	contact spring	metal carbon galvanized steel
Weight		~210 g



# TR85H7P021K

WHEELS KIT REPLACEMENT FOR TR85H7P001,  
TR85H7P002 AND TR85H7P010



Material	wheel hardware	nylon galvanized steel
Weight		~75 g