

SQ040...DL2N

SQ063...DL2N

REGOLUS SWITCH DISCONNECTORS WITH TYPE "D - L2N" BASE MOUNTING AND DIRECT COMMAND (63 A / 80 A)

SPECIFICATIONS 2

QUICK REFERENCE 4

OVERVIEW..... 4

INSTALLATION..... 5



Before use, read this booklet carefully to acquaint yourself with the features of the product. This booklet is an integral part of the product and therefore must be kept until the product is dismissed.



Giovenzana International B.V. reserves the right to change the features and data shown in this document at any time and without notice. This document cannot therefore be considered a contract with third parties.



SQ series Regolus switch disconnectors are designed and manufactured according to IEC international standard and EN European regulations.



Any improper installation or any tampering of the device may cause serious personnel injury or property damage, therefore, the installation and maintenance must be performed by specialized and authorized personnel.



The use of this device is not allowed in environment with a potentially explosive atmosphere or in presence of corrosive substances and in salt spray.

ATTENTION
Before any installation or maintenance operation, disconnect the power supply to the system. Before restoring the power supply, make sure that all connections to the device have been made correctly. Giovenzana International B.V. disclaims any responsibility for any damage to things and people caused by non-compliance with the rules described here.

Switch disconnectors involved in this instruction manual:

Series	poles		AC-21A	AC-23A
	2 poles	3 poles	690 V	400 V
SQ040	SQ040002DL2N	SQ040003DL2N	63 A	50 A
SQ063	SQ063002DL2N	SQ063003DL2N	80 A	75 A

Main features:

- base mounting
- DIN rail 35 mm mounting (EN 50022-35)
- black knob locking in "0-OFF" position

Additional references:

- relevant accessories: p.4

SPECIFICATIONS

General characteristics

Protection class	terminals		IP 20
Material group		EN 60947-1	II
Pollution grade		EN 60947-1	3
Flammability	live electrical parts	UL94	V0
Ambient temperature	operating storage		-25 ... +55°C -30 ... +70°C
Climate withstand		IEC 68 part 2-3 IEC 68 part 2-30	damp heat, steady state damp heat, cyclic
Connections	terminal block caliber	EN60947-1	A8
	terminal screw		M5
	tightening torque	EN60947-1 UL508	3 N·m 32 lb·in (3.6 N·m)
Connectable section	flexible conductors		1.5 ... 25 mm ² AWG 10 ... 2
	solid conductors		1.5 ... 25 mm ² AWG 10 ... 2
Contacts			slow action double breaking
Opening angles			90°
Mechanical lifetime	@ 120 operations / hour		0.1 million cycles
Maximum altitude derating	up to 2000 m over 2000 m	voltage (V) power (A)	standard < 1% each 100 m < 1% each 1000 m

EN 60947-3 characteristics

		SQ040	SQ063
Rated operating voltage	U _e	690 V	690 V
Rated insulation voltage	U _i	690 V	690 V
Rated impulse withstand voltage (sectionable)	U _{imp}	8 kV	8 kV
Rated thermal current	I _{th}	63 A	80 A
Rated enclosed thermal current	I _{the}	63 A	80 A
Frequency		50/60 Hz	50/60 Hz

Alternate current

Rated operating current		le		SQ040	SQ063
AC-21A	Switching of resistive loads, including moderate overloads		690 V	63 A	80 A
AC-22A	Switching of mixed resistive and inductive loads, including moderate overloads		500 V	63 A	80 A
			690 V	63 A	80 A
AC-23A	Switching of motor loads or other highly inductive loads	3 phases - 3 poles	230 V	63 A	80 A
			400 V	50 A	75 A
			500 V	50 A	75 A
			690 V	26 A	32 A
AC-3	Squirrel-cage motors: starting, switches off motors during running time	3 phases - 3 poles	230 V	45 A	60 A
			400 V	40 A	60 A
			500 V	35 A	45 A
			690 V	22 A	25 A
AC-23A	Nominal breaking capacity (cosφ 0.45)		230 V	360 A	600 A
			400 V	360 A	536 A
			500 V	280 A	536 A
			690 V	176 A	256 A

Short circuit characteristics

			SQ040	SQ063
Rated short-time short circuit withstand current (1 s)	lcw		1200 A	1500 A
Rated short circuit making capacity	lcm		2200 A	2800 A
Conditional rated short circuit withstand current			10 kA	10 kA
Fuse rating (type gG)		500 V	80 A	80 A
		690 V	80 A	80 A


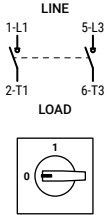
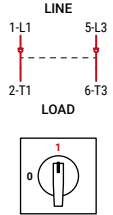

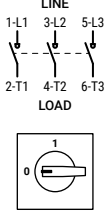
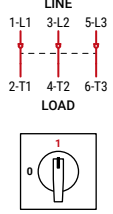
UL 508 characteristics

			SQ040	SQ063		
General use		600 V AC	60 A	80 A		
Standard motor load	1 phase - 2 poles	120 V AC	2 HP	24 FLA	3 HP	34 FLA
		200 - 208 V AC	3 HP		5 HP	
		240 V AC	5 HP	28 FLA	7.5 HP	40 FLA
	3 phases - 3 poles	200 - 208 V AC	7.5 HP		10 HP	
		240 V AC	10 HP	28 FLA	15 HP	42 FLA
		480 V AC	25 HP	34 FLA	30 HP	40 FLA
	600 V AC	30 HP	32 FLA	40 HP	41 FLA	

Marking

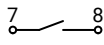

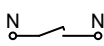

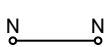





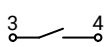



SQ...02DL2N / SQ...03DL2N CE, UL, UKCA

QUICK REFERENCE

Switch disconnecter	Notes	Operational scheme		
 2 poles SQ040002DL2N SQ063002DL2N	Installation instructions: p.5			One input LINE manages one LOAD.
 3 poles SQ040003DL2N SQ063003DL2N	Installation instructions: p.5			One input LINE manages one LOAD.

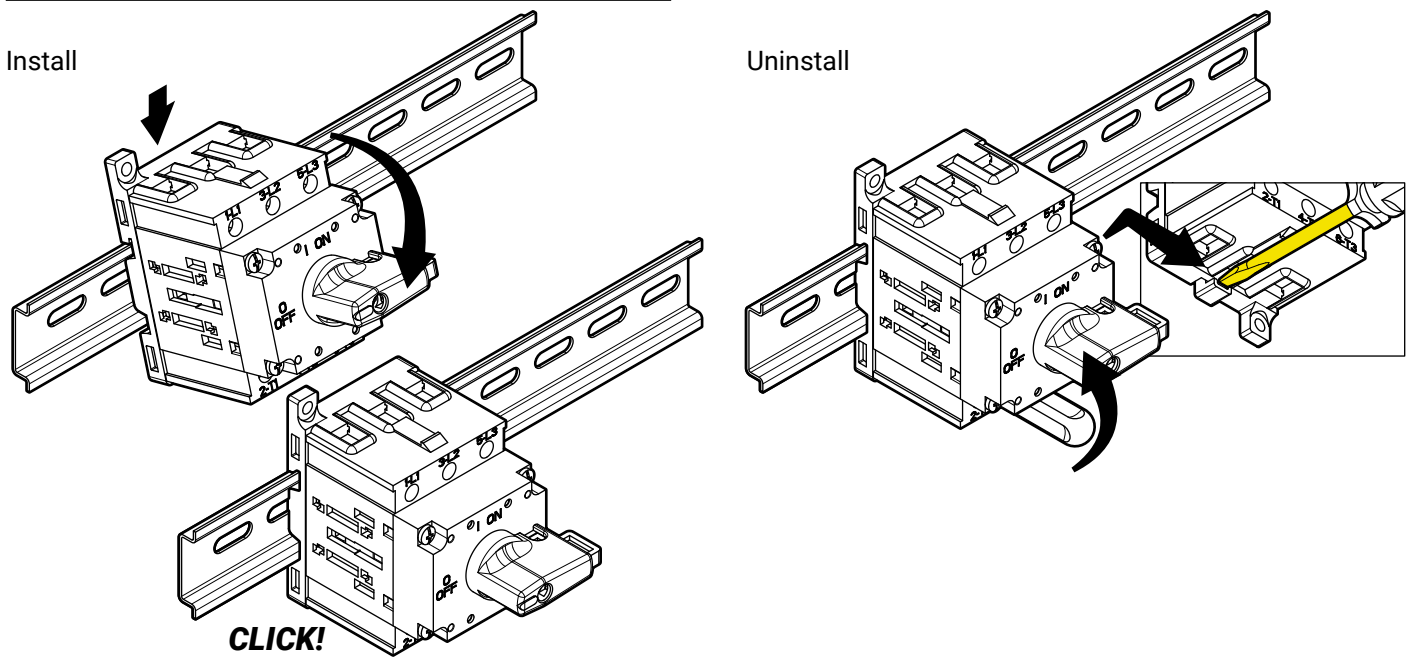
OVERVIEW

Accessories

Additional poles				Installation instructions
Additional pole NO			SQ040AFPB SQ063AFPB	p.6
4th pole (early make contact)			SQ040ANIB SQ063ANIB	p.6
Neutral terminal			SQ040ANPB SQ063ANPB	p.6
Ground terminal			SQ040APEB SQ063APEB	p.6
Auxiliary contacts				
Auxiliary contact 1 NC			SQ010AS3B	p.6
Auxiliary contact 1 NO			SQ010AS4B	p.6
Terminal protections				
Terminal protection for 3 poles			20900041	p.7
Terminal protection for 1 pole			20900040	p.7

INSTALLATION

DIN rail mounting



2 / 3 poles switch disconnecter installation

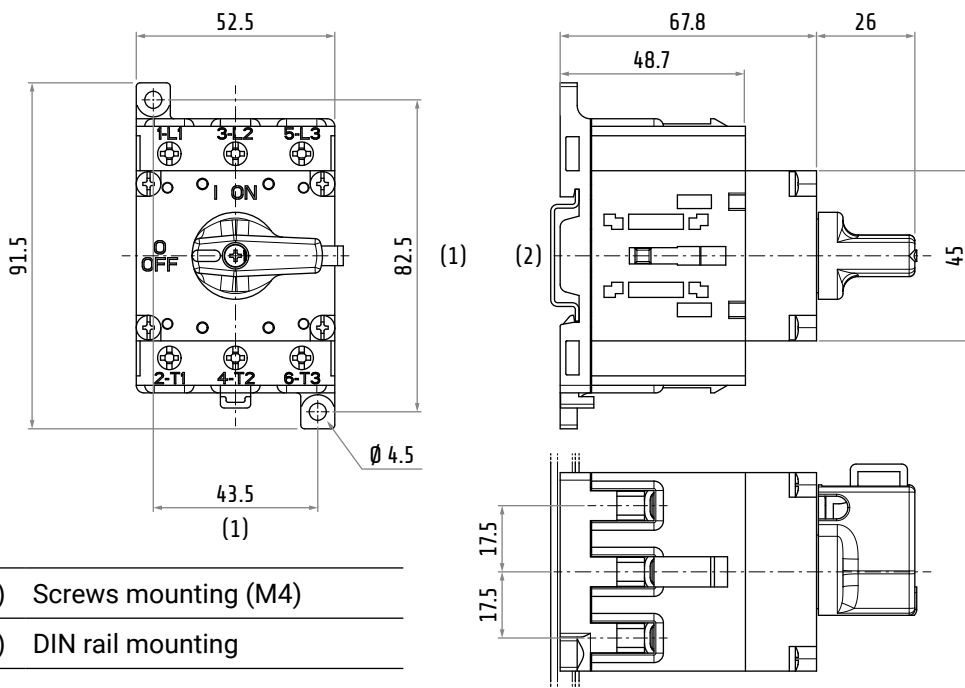
Switch disconnectors involved

SQ040002DL2N

SQ063002DL2N

SQ040003DL2N

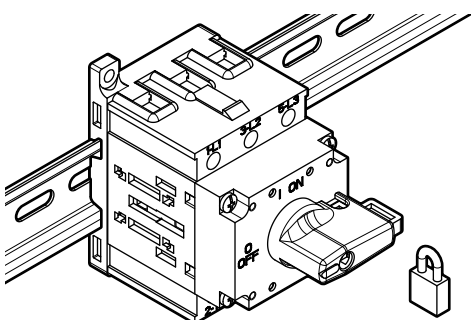
SQ063003DL2N



(1) Screws mounting (M4)

(2) DIN rail mounting

Dimensions in mm
Illustrations NOT in scale



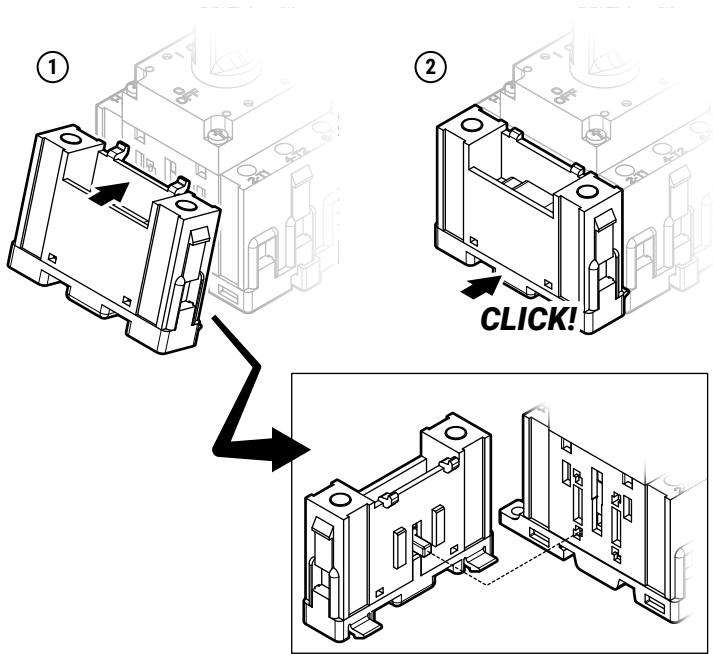
shackle:
6 mm max



ATTENTION

Padlocking is possible only in OFF position.

Additional poles mounting



- (1) Hook and insert the cursor protrusion into the slot
- (2) Push to fasten

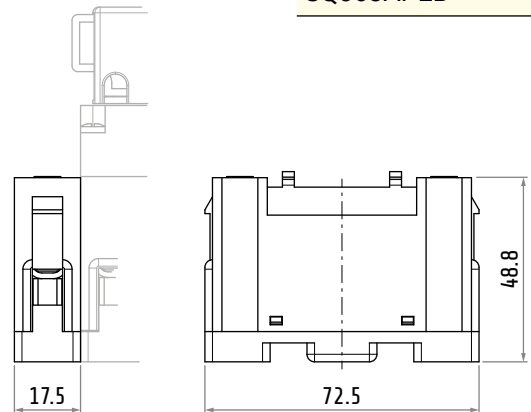
Additional poles

SQ040AFPB
SQ063AFPB

SQ040ANIB
SQ063ANIB

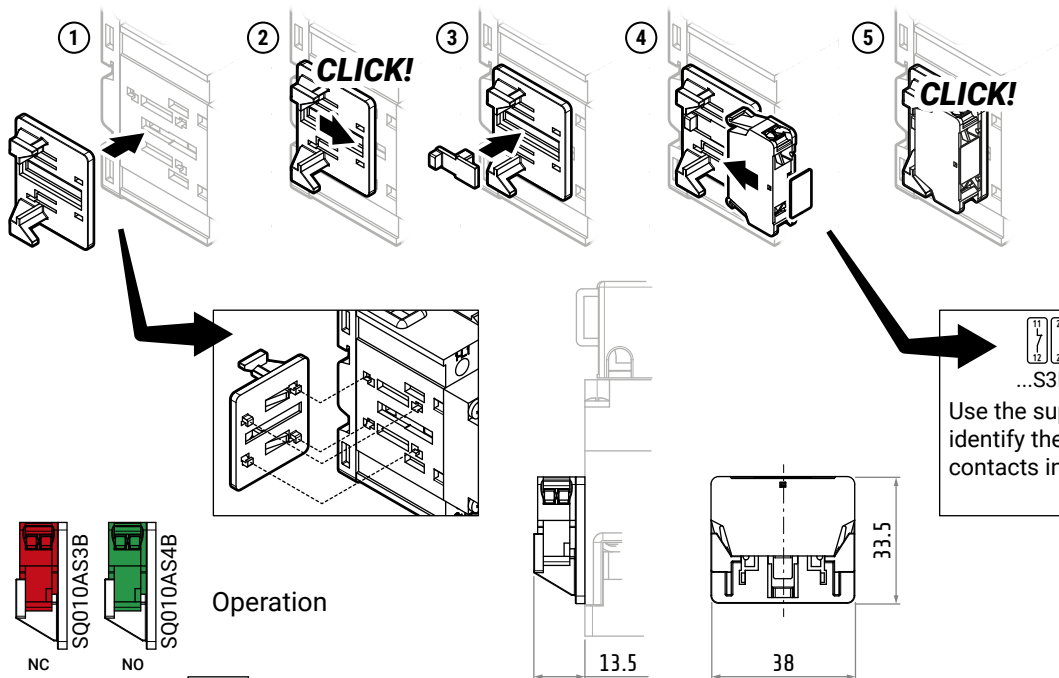
SQ040ANPB
SQ063ANPB

SQ040APEB
SQ063APEB



Dimensions in mm
Illustrations NOT in scale

Auxiliary contacts mounting



Auxiliary contacts

SQ010AS3B

SQ010AS4B

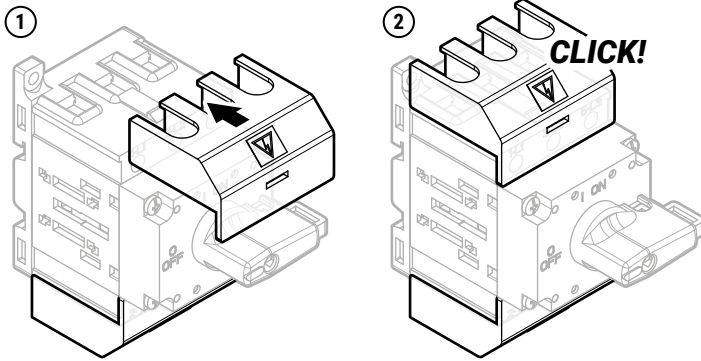
...S3B ...S4B
 Use the supplied labels to identify the contact or the contacts installed.

Dimensions in mm
Illustrations NOT in scale

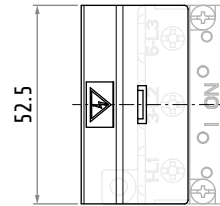
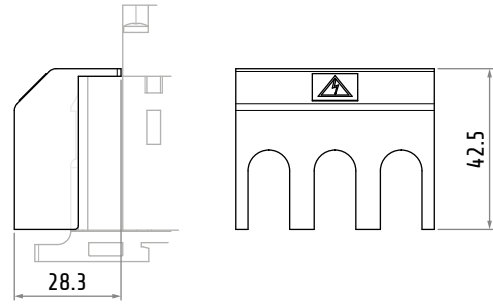
Terminal protection mounting

Terminal protection

20900041



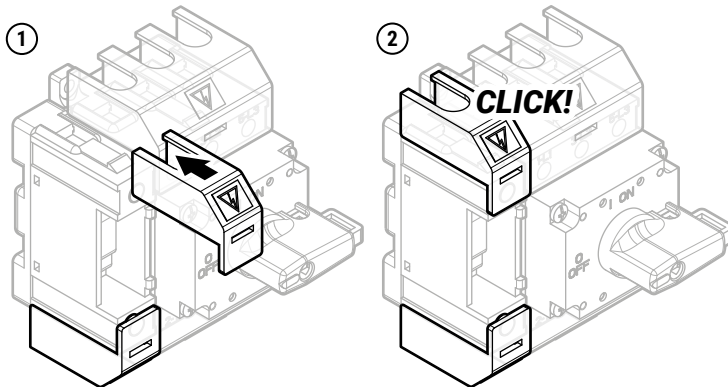
Dimensions in mm
Illustrations NOT in scale



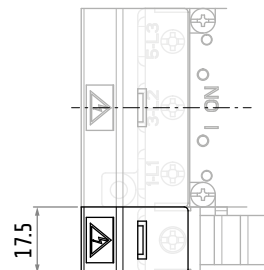
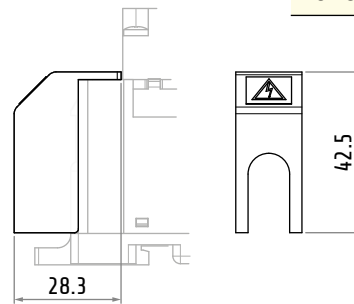
Additional poles protection mounting

Additional poles protection

20900040



Dimensions in mm
Illustrations NOT in scale





A series of horizontal dashed lines spanning the width of the page, providing a template for text entry.